



CUBITAC<sup>®</sup>

CABINETS



*Designed Stronger™*



SPECIFICATION BOOK 2022  
IMPERIAL, PRESTIGE & BASIC SERIES





# CUBITAC<sup>®</sup>

CABINETS

## *THE BEST THINGS IN LIFE START IN THE KITCHEN*

As the heart of the home, the kitchen is where company gathers over good food, deep friendship and fine taste. Cubitac Cabinetry takes inspiration from the imagination of hosts and homemakers everywhere, creating inviting spaces built for making memories. See the passion behind our enduring designs, and you soon realize the Cubitac difference.

We source our materials from vendors celebrated not only for their proven excellence but also for their affordability.

Dollar for dollar, we leverage our buying power to pass savings onto customers. With faster lead times, cutting-edge machinery, streamlined processes and the best price-to-quality ratio in the nation, economical fulfillment is the Cubitac signature.

While Cubitac cultivates close ties with the best global suppliers, we're also passionate about creating local jobs. Our team of cabinet artists practices their craft in our impressive facility in Ridgefield, New Jersey, the town we call home. Have a question? Just contact our friendly American reps, and they'll be happy to help you with all your kitchen inquiries.







## TABLE OF CONTENTS

### IMPERIAL & PRESTIGE SERIES

Cabinet Construction.....	4
Selection Center.....	5
Samples Selection.....	6

### Imperial Collection

Madison.....	8
Bergen.....	9
Sofia.....	10
Belmont.....	11

### Prestige Collection

Newport.....	13
Dover.....	14
Milan.....	15

Wall Cabinets.....	16
Base Cabinets.....	31
Vanities.....	42
Accessories.....	46
Range Hoods.....	51

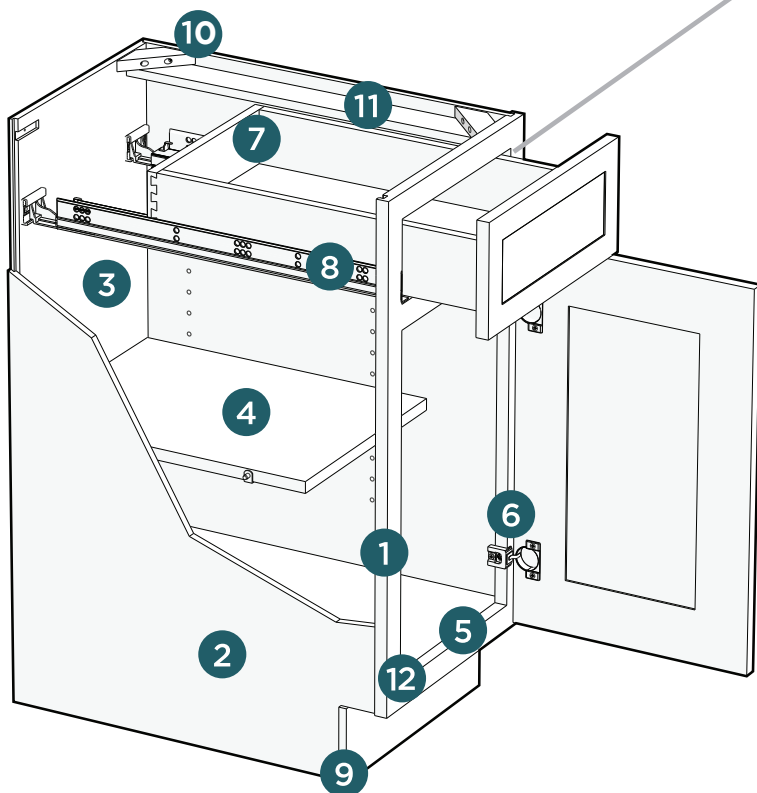
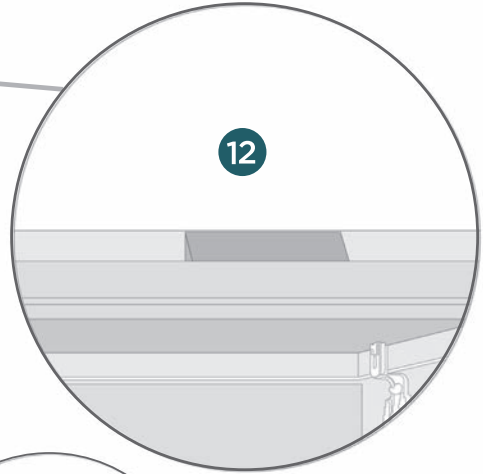
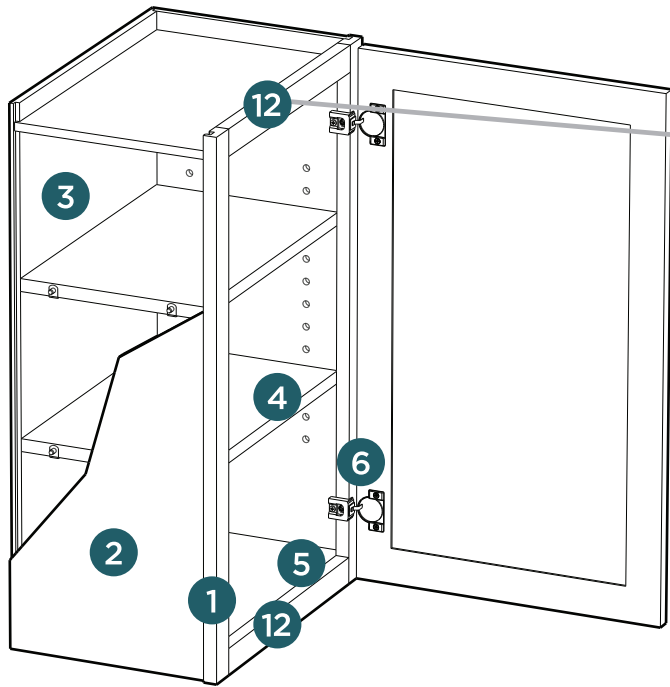
### BASIC SERIES

Cabinet Construction.....	62
Ridgefield.....	63
Oxford.....	64

Wall Cabinets.....	65
Base Cabinets.....	73
Vanities.....	80
Accessories.....	82

<b>Modifications.....</b>	<b>94</b>
<b>Terms, Warranty, &amp; Forms.....</b>	<b>103</b>

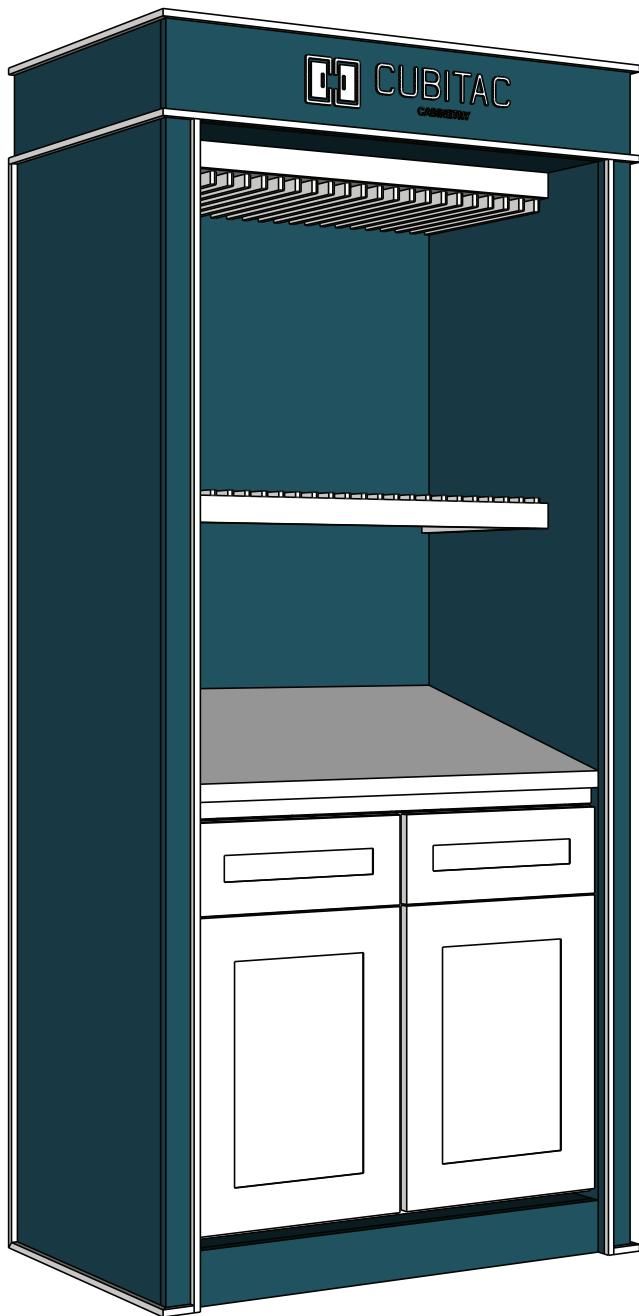
# CABINET CONSTRUCTION



## Cabinet Specs

- |    |   |
|----|---|
| 1  | 1 1/2" Wide x 3/4" thick Solid Wood Face Frame  |
| 2  | 1/2" Veneered plywood side panels Dovetail grooved into Face Frame  |
| 3  | 1/2" Veneered plywood back with natural finished interior   |
| 4  | 3/4" Veneered plywood full depth adjustable shelf with matching Edge Banding (base cabinet shelf depth 18") |
| 5  | Floor is flushed with the frame   |
| 6  | Concealed 6-way adjustable Soft-Close Hinge   |
| 7  | 5/8" Dovetail Solid Wood Drawer Box   |
| 8  | Full extension Soft-Close under-mount Slides  |
| 9  | 1/2" Veneered plywood Toe Kick Matches exterior finish  |
| 10 | Wooden Corner Brackets added for additional strength and stability  |
| 11 | I-Beam 1/2" plywood to support the cabinet  |
| 12 | Wooden Corner Blocks added to top and bottom of cabinet for additional strength and stability               |





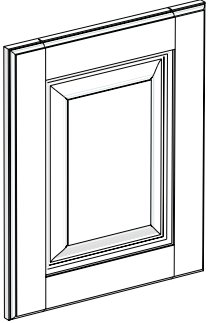
## Selection Center

1 Basic Series Base Cabinet  
1 Prestige or Imperial Series Base Cabinet

Product	W	D	H
SELECTION CENTER	42 1/2"	24 1/2"	92"

\*Wood is a product of nature, and since no two trees are alike, cabinets may vary in color, texture, and grain. Any imagery represented by Cubitac in this Specification Book are simply a representation and not intended to represent precise measurement and color. Images used in this Inspiration guide are either stock, renderings or client images.

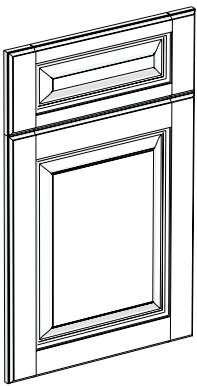
# SAMPLE SELECTION



## Sample Door

One Door

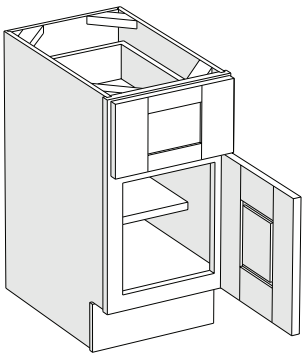
Product	W	D	H
DS12	12"	3/4"	15"



## Sample Base Door

One Door

Product	W	D	H
SBF15	15"	3/4"	24"



## Sample Mini Base

One Door • One Drawer

One Removable Shelf

Product	W	D	H
MINI BASE	12"	18"	24"

**Notes:** Limited Styles available.



## Sample Molding Chain

**Product**

MOLDING CHAIN





Madison Collection



## LATTE

F

<b>DOOR FRAME</b>	3/4" X 3/4" Solid Wood
<b>CENTER PANEL</b>	5/8" Composite Plywood Core Panel
<b>DRAWER FRONT</b>	5-Piece Center Panel Matches Door Design Height 6 3/4"
<b>HARDWARE</b>	Concealed 6-Way Adjustable Soft-Close Hinge, Full Extension Soft-Close Under-Mount Slides
<b>OVERLAY</b>	Full Overlay



## DUSK

G

<b>DOOR FRAME</b>	3/4" X 3/4" Solid Wood
<b>CENTER PANEL</b>	5/8" Composite Plywood Core Panel
<b>DRAWER FRONT</b>	5-Piece Center Panel Matches Door Design Height 6 3/4"
<b>HARDWARE</b>	Concealed 6-Way Adjustable Soft-Close Hinge, Full Extension Soft-Close Under-Mount Slides
<b>OVERLAY</b>	Full Overlay



## MIDNIGHT

G

<b>DOOR FRAME</b>	3/4" X 3/4" Solid Wood
<b>CENTER PANEL</b>	5/8" Composite Plywood Core Panel
<b>DRAWER FRONT</b>	5-Piece Center Panel Matches Door Design Height 6 3/4"
<b>HARDWARE</b>	Concealed 6-Way Adjustable Soft-Close Hinge, Full Extension Soft-Close Under-Mount Slides
<b>OVERLAY</b>	Full Overlay





## LATTE

**D**

<b>DOOR FRAME</b>	3" X 3/4" MDF, Constructed With Mortise and Tenon Joint
<b>CENTER PANEL</b>	3/8" MDF Reversed Raised Center Panel
<b>DRAWER FRONT</b>	5-Piece Reversed Center Panel Matches Door Design, Height 6 3/4"
<b>HARDWARE</b>	Concealed 6-Way Adjustable Soft-Close Hinge, Full Extension Soft-Close Under-Mount Slides
<b>OVERLAY</b>	Full Overlay



## SHALE

**D**

<b>DOOR FRAME</b>	3" X 3/4" Solid Wood, Constructed With Mortise and Tenon Joints
<b>CENTER PANEL</b>	3/8" Veneered MDF Reversed Raised Center Panel
<b>DRAWER FRONT</b>	5-Piece Reversed Center Panel Matches Door Design. Height 6 3/4"
<b>HARDWARE</b>	Concealed 6-Way Adjustable Soft-Close Hinge, Full Extension Soft-Close Under-Mount Slides
<b>OVERLAY</b>	Full Overlay



### PEWTER GLAZE

E

<b>DOOR FRAME</b>	2 1/2" X 3/4" MDF, Constructed With Mortise And Tenon Joints
<b>CENTER PANEL</b>	1/2" MDF Raised Center Panel
<b>DRAWER FRONT</b>	5-Piece Reversed Center Panel Matches Door Design Height 6"
<b>HARDWARE</b>	Concealed 6-Way Adjustable Soft-Close Hinge, Full Extension Soft-Close Under Mount Slides
<b>OVERLAY</b>	Full Overlay (Drawer 3/4" from the top)



### CARAMEL GLAZE

E

<b>DOOR FRAME</b>	2 1/2" X 3/4" MDF, Constructed With Mortise And Tenon Joints
<b>CENTER PANEL</b>	1/2" MDF Raised Center Panel
<b>DRAWER FRONT</b>	5-Piece Reversed Center Panel Matches Door Design Height 6"
<b>HARDWARE</b>	Concealed 6-Way Adjustable Soft-Close Hinge, Full Extension Soft-Close Under Mount Slides
<b>OVERLAY</b>	Full Overlay (Drawer 3/4" from the top)



### SABLE GLAZE

E

<b>DOOR FRAME</b>	2 1/2" X 3/4" MDF, Constructed With Mortise And Tenon Joints
<b>CENTER PANEL</b>	5/8" MDF Raised Center Panel
<b>DRAWER FRONT</b>	5-Piece Reversed Center Panel Matches Door Design Height 6"
<b>HARDWARE</b>	Concealed 6-Way Adjustable Soft-Close Hinge, Full Extension Soft-Close Under Mount Slides
<b>OVERLAY</b>	Full Overlay (Drawer 3/4" from the top)





## CAFÉ GLAZE

C

**DOOR FRAME** 2 1/2" X 7/8" Solid Wood, Mitered Construction

**CENTER PANEL** 5/8" Solid Wood Raised Center Panel

**DRAWER FRONT** 5-Piece Reversed Center Panel, Height 6"

**HARDWARE** Concealed 6-Way Adjustable Soft-Close Hinge, Full Extension Soft-Close Under Mount Slides

**OVERLAY** Full Overlay (Drawer 3/4" from the top)



Newport Collection



## LATTE

**B**

<b>DOOR FRAME</b>	2 1/2" X 3/4" MDF, Constructed With Mortise And Tenon Joints
<b>CENTER PANEL</b>	1/2" MDF Raised Center Panel
<b>DRAWER FRONT</b>	5-Piece Raised Center Panel Matches Door Design, Height 6"
<b>HARDWARE</b>	Concealed 6-Way Adjustable Soft-Close Hinge, Full Extension Soft-Close Under-Mount Slides
<b>OVERLAY</b>	Full Overlay (Drawer 3/4" from the top)



## CAFÉ

**A**

<b>DOOR FRAME</b>	2 1/2" X 3/4" Solid Wood, Constructed With Mortise And Tenon Joints
<b>CENTER PANEL</b>	1/2" Solid Wood Raised Center Panel
<b>DRAWER FRONT</b>	5-Piece Raised Center Panel Matches Door Design, Height 6"
<b>HARDWARE</b>	Concealed 6-Way Adjustable Soft-Close Hinge, Full Extension Soft-Close Under-Mount Slides
<b>OVERLAY</b>	Full Overlay (Drawer 3/4" from the top)

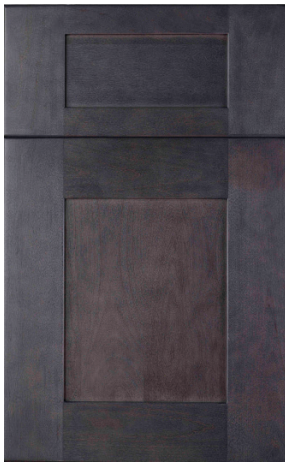




## LATTE

**B**

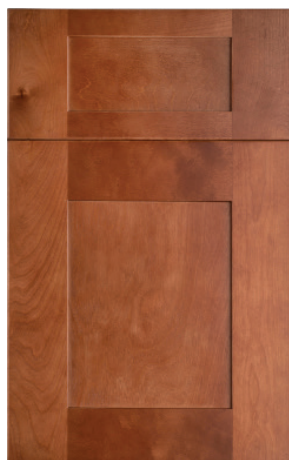
<b>DOOR FRAME</b>	3 1/8" X 3/4" MDF, Constructed With Mortise And Tenon Joints
<b>CENTER PANEL</b>	3/8" MDF Reversed Raised Center Panel
<b>DRAWER FRONT</b>	5-Piece Reversed Center Panel Matched Door Design Height 6 3/4"
<b>HARDWARE</b>	Concealed 6-Way Adjustable Soft-Close Hinge, Full Extension Soft-Close Under-Mount Slides
<b>OVERLAY</b>	Full Overlay



## SHALE

**B**

<b>DOOR FRAME</b>	3 1/8" X 3/4" Solid Wood, Constructed With Mortise And Tenon Joints
<b>CENTER PANEL</b>	3/8" Veneered MDF Reversed Raised Center Panel
<b>DRAWER FRONT</b>	5-Piece Reversed Center Panel Matched Door Design Height 6 3/4"
<b>HARDWARE</b>	Concealed 6-Way Adjustable Soft-Close Hinge, Full Extension Soft-Close Under-Mount Slides
<b>OVERLAY</b>	Full Overlay



## CAFÉ

**A**

<b>DOOR FRAME</b>	3 1/8" X 3/4" Solid Wood, Constructed With Mortise And Tenon Joints
<b>CENTER PANEL</b>	3/8" Veneered MDF Reversed Raised Center Panel
<b>DRAWER FRONT</b>	5-Piece Reversed Center Panel Matched Door Design Height 6 3/4"
<b>HARDWARE</b>	Concealed 6-Way Adjustable Soft-Close Hinge, Full Extension Soft-Close Under-Mount Slides
<b>OVERLAY</b>	Full Overlay



## LATTE

**B**

<b>DOOR FRAME</b>	3/4" MDF Slab
<b>CENTER PANEL</b>	N/A
<b>DRAWER FRONT</b>	3/4" MDF Slab, Height 6"
<b>HARDWARE</b>	Concealed 6-Way Adjustable Soft-Close Hinge, Full Extension Soft-Close Under-Mount Slides
<b>OVERLAY</b>	Full Overlay (Drawer 3/4" from the top)



## SHALE

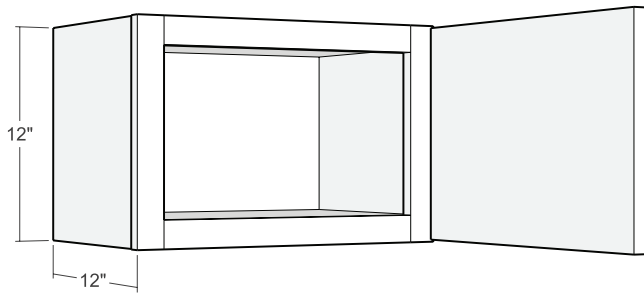
**B**

<b>DOOR FRAME</b>	3/4" Vertical Striped Veneered MDF with Solid Wood Edges
<b>CENTER PANEL</b>	N/A
<b>DRAWER FRONT</b>	3/4" Vertical Striped Veneered MDF with Solid Wood edges, Height 6 3/4"
<b>HARDWARE</b>	Concealed 6-Way Adjustable Soft-Close Hinge, Full Extension Soft-Close Under-Mount Slides
<b>OVERLAY</b>	Full Overlay



Dover Collection

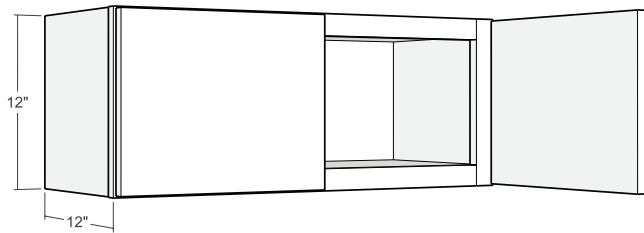




**12" High Wall Cabinet**

One Door

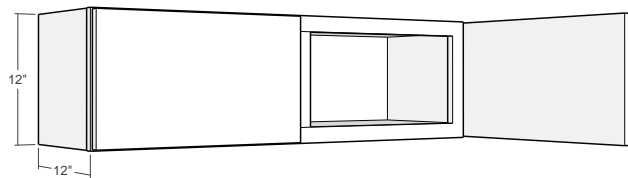
Product	W	D	H
W1812	18"	12"	12"



**12" High Wall Cabinet**

Two Butt Doors

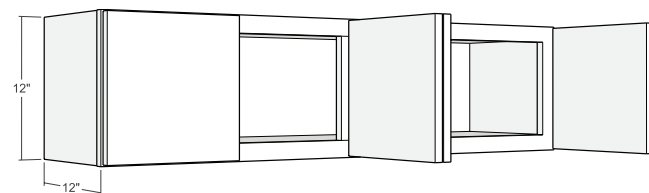
Product	W	D	H
W2412	24"	12"	12"
W3012	30"	12"	12"
W3312	33"	12"	12"
W3612	36"	12"	12"



**12" High Wall Cabinet**

Two Doors • Center Stile

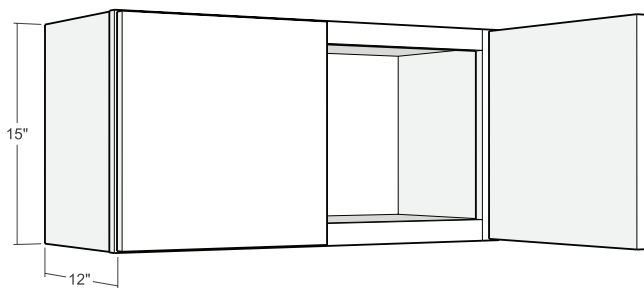
Product	W	D	H
W4212	42"	12"	12"



**12" High Wall Cabinet**

Four Doors

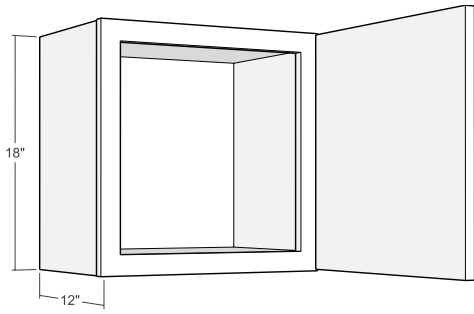
Product	W	D	H
W4812	48"	12"	12"



**15" High Wall Cabinet**

Two Butt Doors

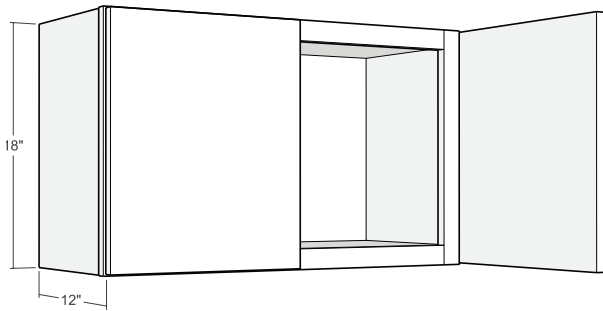
Product	W	D	H
W2415	24"	12"	15"
W3015	30"	12"	15"
W3315	33"	12"	15"
W3615	36"	12"	15"



**18" High Wall Cabinet**

One Door

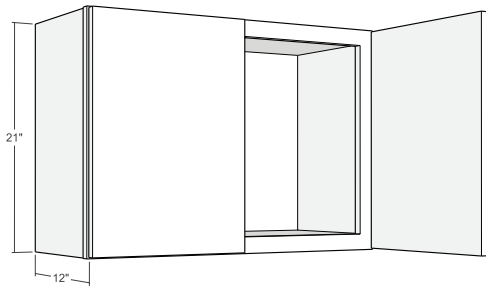
Product	W	D	H
W1818	18"	12"	18"
W2118	21"	12"	18"



**18" High Wall Cabinet**

Two Butt Doors

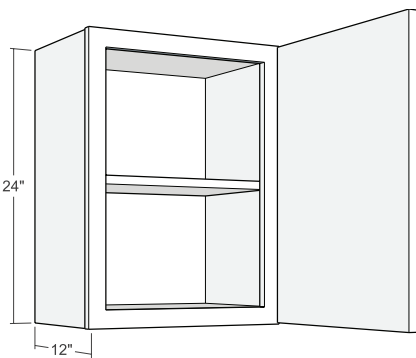
Product	W	D	H
W2418	24"	12"	18"
W3018	30"	12"	18"
W3318	33"	12"	18"
W3618	36"	12"	18"



**21" High Wall Cabinet**

Two Butt Doors

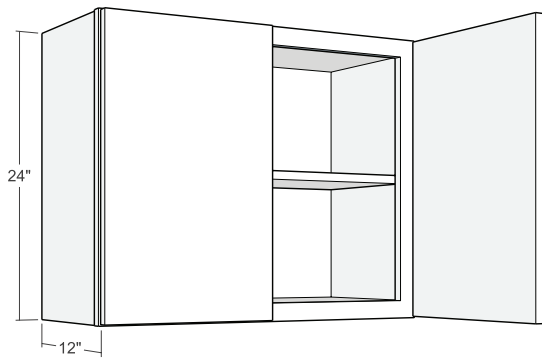
Product	W	D	H
W2421	24"	12"	21"
W3021	30"	12"	21"



**24" High Wall Cabinet**

One Door • One Adjustable Shelf

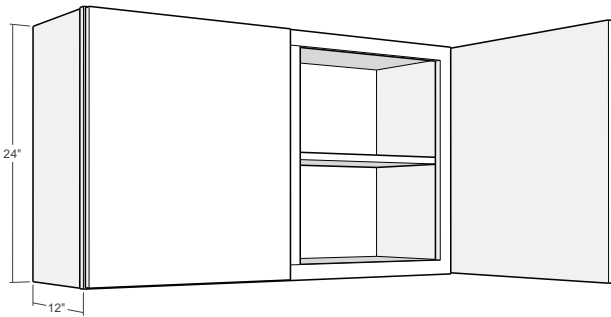
Product	W	D	H
W1224	12"	12"	24"
W1524	15"	12"	24"
W1824	18"	12"	24"
W2124	21"	12"	24"



**24" High Wall Cabinet**

Two Butt Doors • One Adjustable Shelf

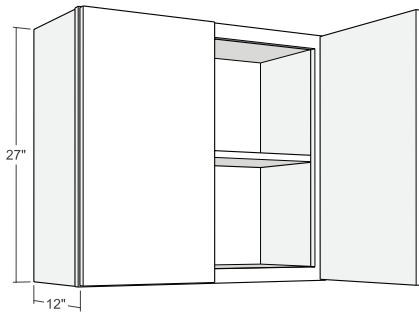
Product	W	D	H
W2424	24"	12"	24"
W2724	27"	12"	24"
W3024	30"	12"	24"
W3324	33"	12"	24"
W3624	36"	12"	24"



**24" High Wall Cabinet**

Two Butt Doors • One Adjustable Shelf  
Center Stile

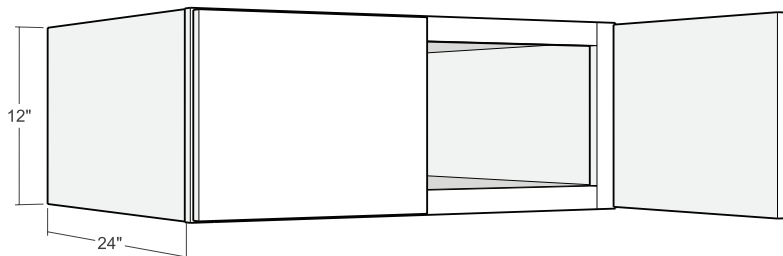
Product	W	D	H
W4224	42"	12"	24"



**27" High Wall Cabinet**

Two Butt Doors • One Adjustable Shelf

Product	W	D	H
W3027	30"	12"	27"

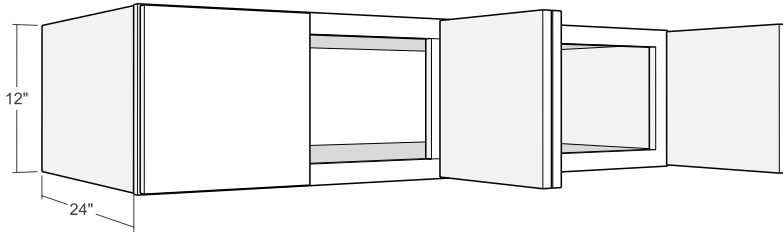


**24" Deep Wall Cabinet**

Two Butt Doors

Product	W	D	H
W3012X24	30"	24"	12"
W3612X24	36"	24"	12"

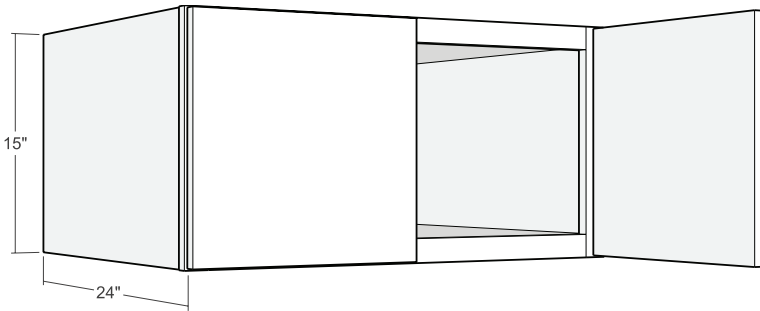




**24" Deep Wall Cabinet**

Four Doors

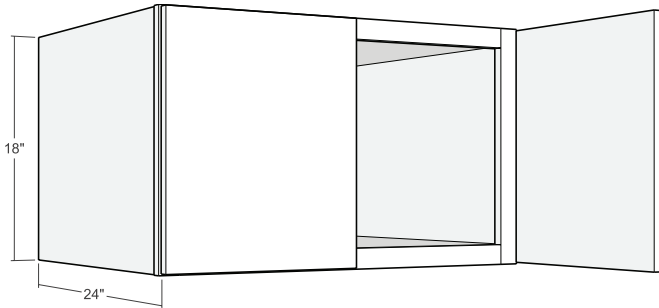
Product	W	D	H
W4812X24	48"	24"	12"



**24" Deep Wall Cabinet**

Two Butt Doors

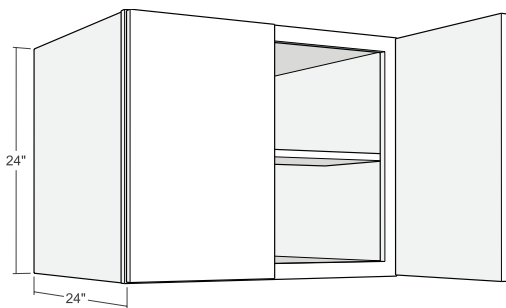
Product	W	D	H
W3015X24	30"	24"	15"
W3315X24	33"	24"	15"
W3615X24	36"	24"	15"



**24" Deep Wall Cabinet**

Two Butt Doors

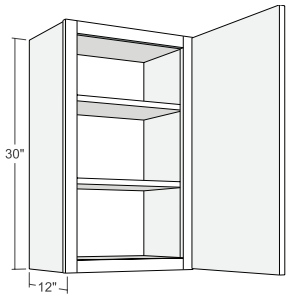
Product	W	D	H
W3018X24	30"	24"	18"
W3318X24	33"	24"	18"
W3618X24	36"	24"	18"



**24" Deep Wall Cabinet**

Two Butt Doors • One Adjustable Shelf

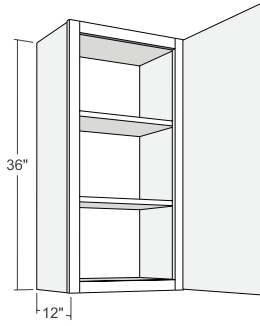
Product	W	D	H
W2424X24	24"	24"	24"
W3024X24	30"	24"	24"
W3324X24	33"	24"	24"
W3624X24	36"	24"	24"



**30" High Wall Cabinet**

One Door • Two Adjustable Shelves

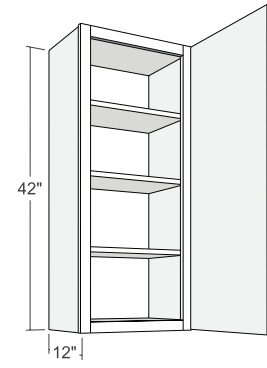
Product	W	D	H
W930	9"	12"	30"
W1230	12"	12"	30"
W1530	15"	12"	30"
W1830	18"	12"	30"
W2130	21"	12"	30"



**36" High Wall Cabinet**

One Door • Two Adjustable Shelves

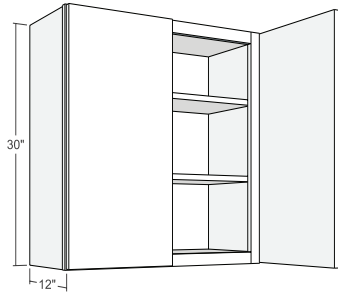
Product	W	D	H
W936	9"	12"	36"
W1236	12"	12"	36"
W1536	15"	12"	36"
W1836	18"	12"	36"
W2136	21"	12"	36"



**42" High Wall Cabinet**

One Door • Three Adjustable Shelves

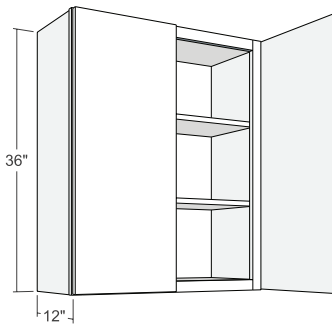
Product	W	D	H
W942	9"	12"	42"
W1242	12"	12"	42"
W1542	15"	12"	42"
W1842	18"	12"	42"
W2142	21"	12"	42"



**30" High Wall Cabinet**

Two Butt Doors • Two Adjustable Shelves

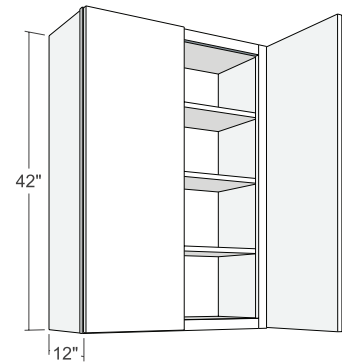
Product	W	D	H
W2430	24"	12"	30"
W2730	27"	12"	30"
W3030	30"	12"	30"
W3330	33"	12"	30"
W3630	36"	12"	30"



**36" High Wall Cabinet**

Two Butt Doors • Two Adjustable Shelves

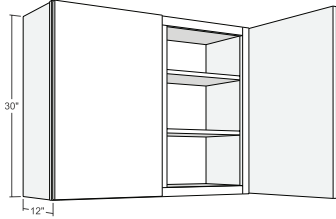
Product	W	D	H
W2436	24"	12"	36"
W2736	27"	12"	36"
W3036	30"	12"	36"
W3336	33"	12"	36"
W3636	36"	12"	36"



**42" High Wall Cabinet**

Two Butt Doors • Three Adjustable Shelves

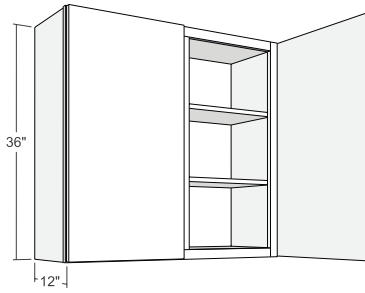
Product	W	D	H
W2442	24"	12"	42"
W2742	27"	12"	42"
W3042	30"	12"	42"
W3342	33"	12"	42"
W3642	36"	12"	42"



**30" High Wall Cabinet**

Two Doors • Two Adjustable Shelves  
Center Stile

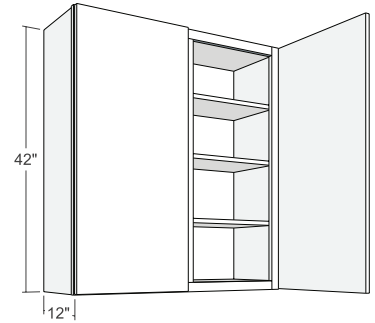
Product	W	D	H
W3930	39"	12"	30"
W4230	42"	12"	30"



**36" High Wall Cabinet**

Two Doors • Two Adjustable Shelves  
Center Stile

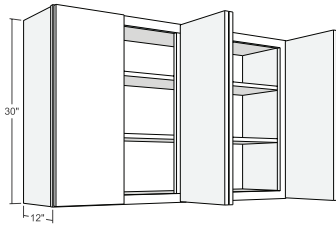
Product	W	D	H
W3936	39"	12"	36"
W4236	42"	12"	36"



**42" High Wall Cabinet**

Two Doors • Three Adjustable Shelves  
Center Stile

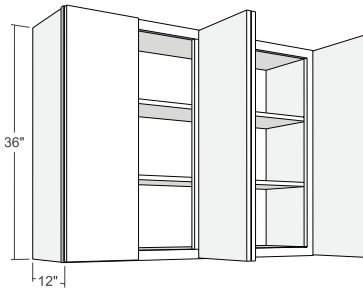
Product	W	D	H
W3942	39"	12"	42"
W4242	42"	12"	42"



**30" High Wall Cabinet**

Four Doors • Two Adjustable Shelves

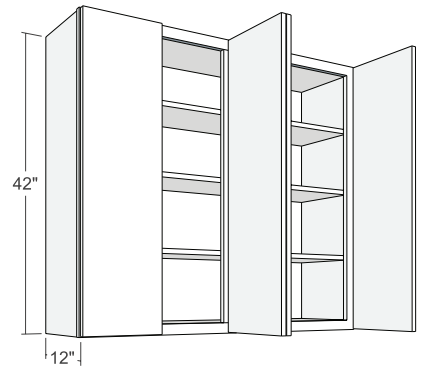
Product	W	D	H
W4830	48"	12"	30"
W5430	54"	12"	30"



**36" High Wall Cabinet**

Four Doors • Two Adjustable Shelves

Product	W	D	H
W4836	48"	12"	36"

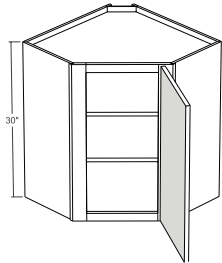


**42" High Wall Cabinet**

Four Doors • Three Adjustable Shelves

Product	W	D	H
W4842	48"	12"	42"





**30" High Corner Wall Cabinet**

One Door • Two Adjustable Shelves

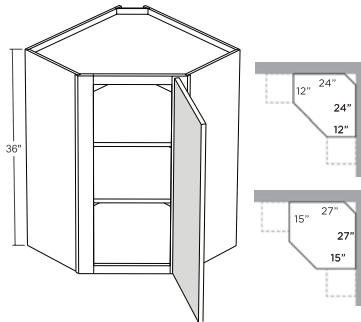
Product	W	D	H
CW2430	24"	24"	30"

**Notes:**

- Actual Door Width is 14 1/2"

**Accessories:**

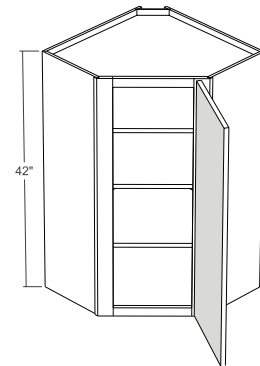
- For Lazy Susan see page 48.
- Glass Shelves see page 60.



**36" High Corner Wall Cabinet**

One Door • Two Adjustable Shelves

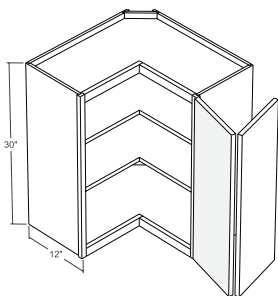
Product	W	D	H
CW2436	24"	24"	36"
CW2736	27"	27"	36"



**42" High Corner Wall Cabinet**

One Door • Three Adjustable Shelves

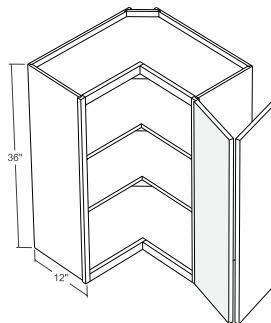
Product	W	D	H
CW2442	24"	24"	42"
CW2742	27"	27"	42"



**30" High Square Corner Wall Cabinet**

Bi-Fold Doors • Two Adjustable Shelves

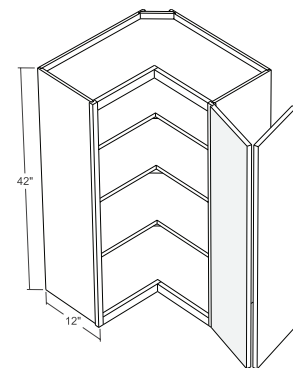
Product	W	D	H
WSQ2430	24"	24"	30"



**36" High Square Corner Wall Cabinet**

Bi-Fold Doors • Two Adjustable Shelves

Product	W	D	H
WQS2436	24"	24"	36"



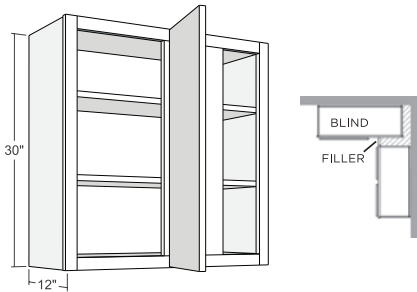
**42" High Square Corner Wall Cabinet**

Bi-Fold Doors • Three Adjustable Shelves

Product	W	D	H
WQS2442	24"	24"	42"

**Note:**

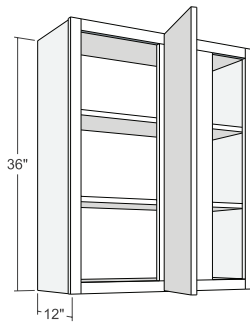
- Actual Door Width is 10 3/4"
- Soft-Close not available.



**30" High Blind Corner Wall Cabinet**

One Door • Two Adjustable Shelves

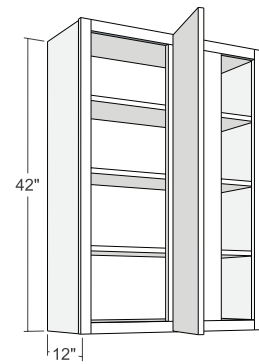
Product	W	D	H
BLW27/3030	27"	12"	30"
BLW30/3330	30"	12"	30"
BLW36/3930	36"	12"	30"



**36" High Blind Corner Wall Cabinet**

One Door • Two Adjustable Shelves

Product	W	D	H
BLW27/3036	27"	12"	36"
BLW30/3336	30"	12"	36"
BLW36/3936	36"	12"	36"



**42" High Blind Corner Wall Cabinet**

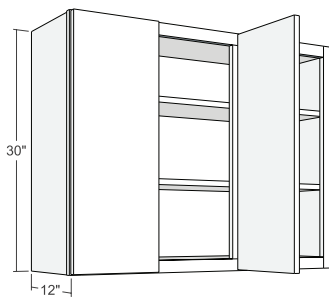
One Door • Three Adjustable Shelves

Product	W	D	H
BLW27/3042	27"	12"	42"
BLW30/3342	30"	12"	42"
BLW36/3942	36"	12"	42"

**Note:**

- Filler is required for all Blind Corner Cabinets.
- Images shown Blind Right.

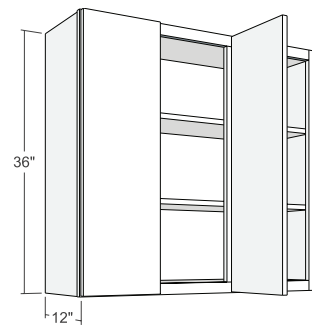
	Act	Min	Max	Door	Stile	Opening
BLW27/30	27"	27"	30"	11 1/2"	9"	9"
BLW30/33	30"	30"	33"	14 1/2"	9"	12"
BLW36/39	36"	36"	39"	20 1/2"	9"	18"



**30" High Blind Corner Wall Cabinet**

Two Butt Doors • Two Adjustable Shelves

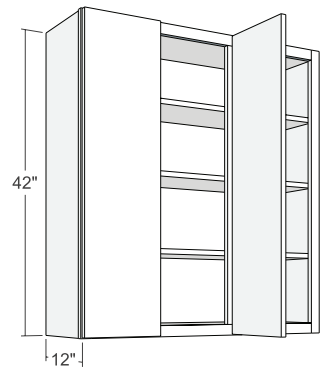
Product	W	D	H
BLW39/4230	39"	12"	30"
BLW42/4530	42"	12"	30"



**36" High Blind Corner Wall Cabinet**

Two Butt Doors • Two Adjustable Shelves

Product	W	D	H
BLW39/4236	39"	12"	36"



**42" High Blind Corner Wall Cabinet**

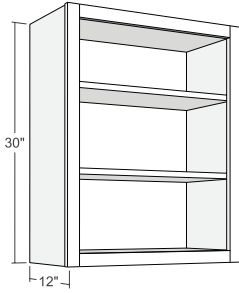
Two Butt Doors • Three Adjustable Shelves

Product	W	D	H
BLW39/4242	39"	12"	42"

**Note:**

- Filler is required for all Blind Corner Cabinets.
- Images shown Blind Right.

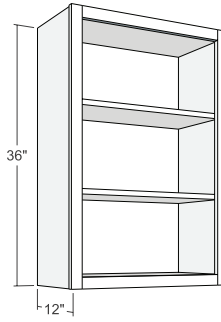
	Act	Min	Max	Door	Stile	Opening
BLW39/42	39"	39"	42"	11 3/4"	9"	21"
BLW42/45	42"	42"	45"	13 1/4"	9"	24"



**30" Finished Interior Wall Cabinet**

Two Adjustable Shelves

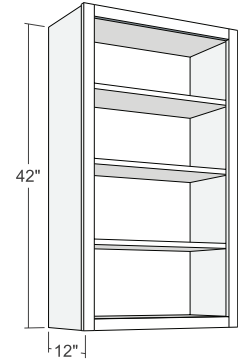
Product	W	D	H
WFI1230	12"	12"	30"
WFI1530	15"	12"	30"
WFI1830	18"	12"	30"
WFI2430	24"	12"	30"
WFI3030	30"	12"	30"
WFI3630	36"	12"	30"



**36" Finished Interior Wall Cabinet**

Two Adjustable Shelves

Product	W	D	H
WFI1236	12"	12"	36"
WFI1536	15"	12"	36"
WFI1836	18"	12"	36"
WFI2436	24"	12"	36"
WFI3036	30"	12"	36"
WFI3636	36"	12"	36"



**42" Finished Interior Wall Cabinet**

Three Adjustable Shelves

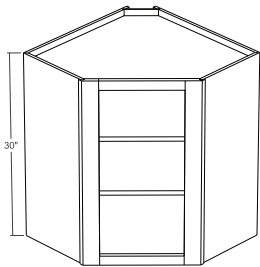
Product	W	D	H
WFI1242	12"	12"	42"
WFI1542	15"	12"	42"
WFI1842	18"	12"	42"
WFI2442	24"	12"	42"
WFI3042	30"	12"	42"
WFI3642	36"	12"	42"

**Note:**

- Interior finish to match cabinet exterior
- Has no door.

**Accessories:**

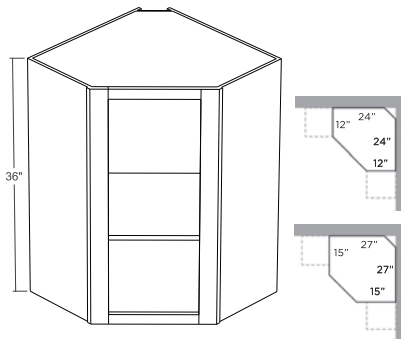
- For Glass Shelves see page 60.
- For Glass doors see page 26.



**30" Finished Interior Corner Wall Cabinet**

Two Adjustable Shelves

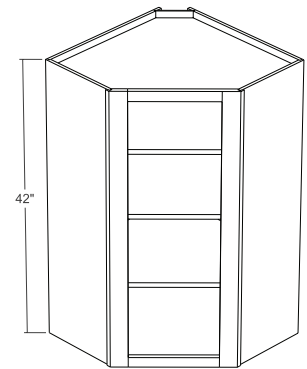
Product	W	D	H
CWFI2430	24"	24"	30"



**36" Finished Interior Corner Wall Cabinet**

Two Adjustable Shelves

Product	W	D	H
CWFI2436	24"	24"	36"
CWFI2736	27"	27"	36"



**42" Finished Interior Corner Wall Cabinet**

Three Adjustable Shelves

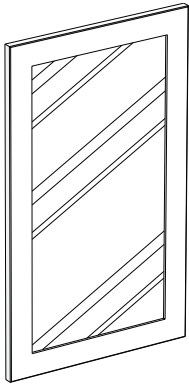
Product	W	D	H
CWFI2442	24"	24"	42"
CWFI2742	27"	27"	42"

**Note:**

- Interior finish to match cabinet exterior
- Has no door.

**Accessories:**

- For Glass Shelves see page 60.
- For Glass doors see page 26.



**30" High Glass Door**

Clear Glass

Product	W	H
GD1230	12"	30"
GD1530	15"	30"
GD1830	18"	30"
GD2430	24"	30"
GD3030	30"	30"
GD3630	36"	30"
GDCW2430	24"	30"

**36" High Glass Door**

Clear Glass

Product	W	H
GD1236	12"	36"
GD1536	15"	36"
GD1836	18"	36"
GD2436	24"	36"
GD3036	30"	36"
GD3636	36"	36"
GDCW2436	24"	36"
GDCW2736	27"	36"

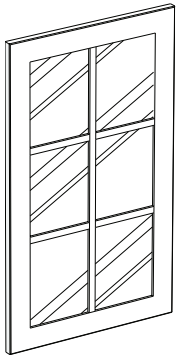
**42" High Glass Door**

Clear Glass

Product	W	H
GD1242	12"	42"
GD1542	15"	42"
GD1842	18"	42"
GD2442	24"	42"
GD3042	30"	42"
GD3642	36"	42"
GDCW2442	24"	42"
GDCW2742	27"	42"

**Notes:**

- Sizes listed are for the Cabinet size they fit.
- GD24, GD30, GD36 are sold as a set of two doors.
- Available in Madison as a custom order.



**30" High Mullion Glass Door**

Clear Glass, 6 Lights

Product	W	H
MD1230	12"	30"
MD1530	15"	30"
MD1830	18"	30"
MD2430	24"	30"
MD3030	30"	30"
MD3630	36"	30"
MDCW2430	24"	30"

**36" High Mullion Glass Door**

Clear Glass, 6 Lights

Product	W	H
MD1236	12"	36"
MD1536	15"	36"
MD1836	18"	36"
MD2436	24"	36"
MD3036	30"	36"
MD3636	36"	36"
MDCW2436	24"	36"
MDCW2736	27"	36"

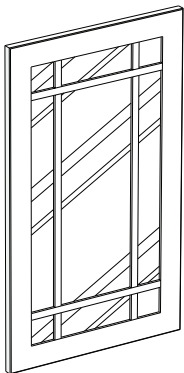
**42" High Mullion Glass Door**

Clear Glass, 8 Lights

Product	W	H
MD1242	12"	42"
MD1542	15"	42"
MD1842	18"	42"
MD2442	24"	42"
MD3042	30"	42"
MD3642	36"	42"
MDCW2442	24"	42"
MDCW2742	27"	42"

**Notes:**

- Sizes listed are for the Cabinet size they fit.
- MD24, MD30, MD36 are sold as a set of two doors.
- Not available in Madison.



**30" High Prairie Mullion Glass Door**

Clear Glass

Product	W	H
ND1530	15"	30"
ND1830	18"	30"
ND3030	30"	30"
ND3630	36"	30"
NDCW2430	24"	30"

**36" High Prairie Mullion Glass Door**

Clear Glass

Product	W	H
ND1536	15"	36"
ND1836	18"	36"
ND3036	30"	36"
ND3636	36"	36"
NDCW2436	24"	36"
NDCW2736	27"	36"

**42" High Prairie Mullion Glass Door**

Clear Glass

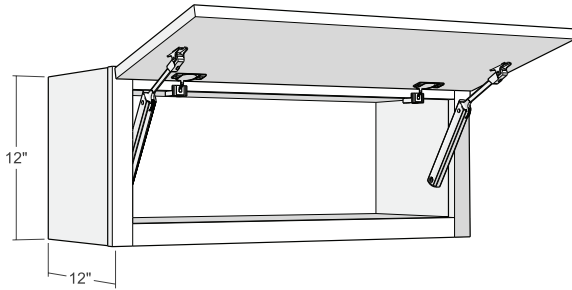
Product	W	H
ND1542	15"	42"
ND1842	18"	42"
ND3042	30"	42"
ND3642	36"	42"
NDCW2442	24"	42"
NDCW2742	27"	42"

**Notes:**

- The 4 outer lights are fixed size and only middle light will expand depending in door size.
- Sizes listed are for the Cabinet size they fit.
- Not available in Madison.

**Notes:** Aluminum Glass Doors available as custom order.





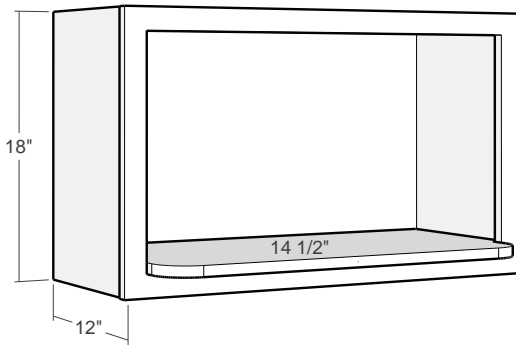
**Notes:**

- Blum HD Lift Included.
- Aluminum HD doors available as a custom order.

**Horizontal Cabinet**

One Horizontal Door

Product	W	D	H
2412HD	24"	12"	12"
2415HD	24"	12"	15"
2418HD	24"	12"	18"
3012HD	30"	12"	12"
3015HD	30"	12"	15"
3018HD	30"	12"	18"
3612HD	36"	12"	12"
3615HD	36"	12"	15"
3618HD	36"	12"	18"

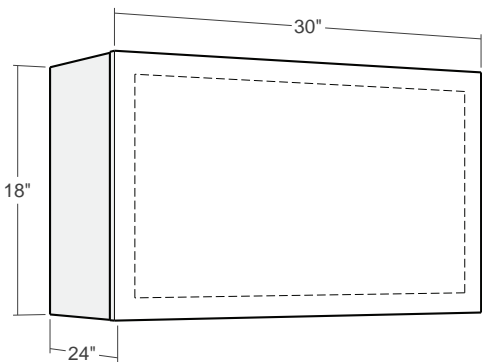


**18" Microwave Cabinet**

Product	W	D	H
MW3018	30"	12"	18"

**Note:**

- Interior finish matches cabinet exterior.
- Opening height: 14 1/4"
- Shelf depth: 14 1/2"
- Works with counter top style microwaves.

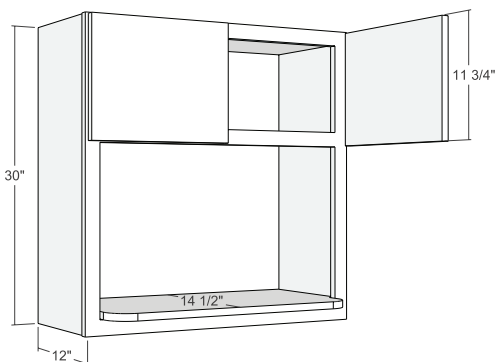


**30" Solid Frame Microwave Cabinet**

Product	W	D	H
MWS3018	30"	24"	18"

**Note:**

- To be cut on-site
- Can be customized to 15" & 18" depth upon request.



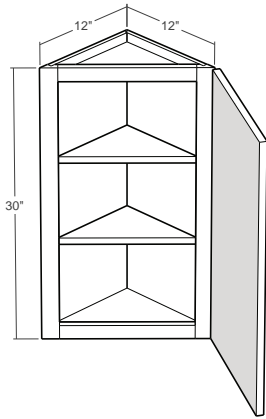
**30" Microwave Cabinet**

Two Doors

Product	W	D	H
MW3030	30"	12"	30"

**Note:**

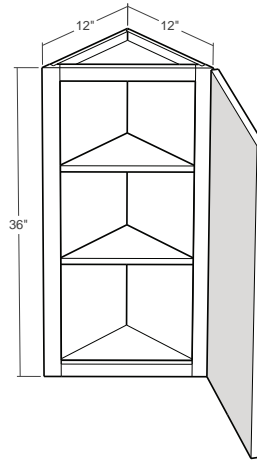
- Shelf depth: 14 1/2"
- Opening Height: 15 3/4"
- Bottom part matches exterior finish.



**Wall End Single Door Cabinet**

One Door • Two Adjustable Shelves

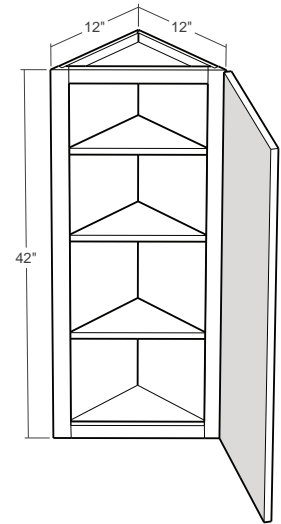
Product	W	D	H
WEC1230	12"	12"	30"



**Wall End Single Door Cabinet**

One Door • Two Adjustable Shelves

Product	W	D	H
WEC1236	12"	12"	36"



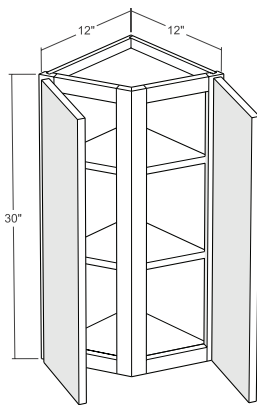
**Wall End Single Door Cabinet**

One Door • Three Adjustable Shelves

Product	W	D	H
WEC1242	12"	12"	42"

**Note:**

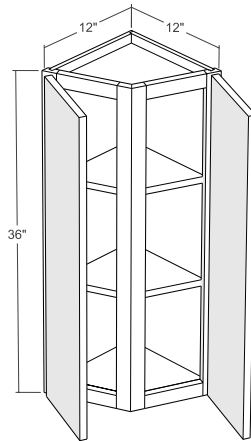
- Actual Door Width is 16 1/8"



**Wall End Double Door Cabinet**

Two Doors • Two Adjustable Shelves

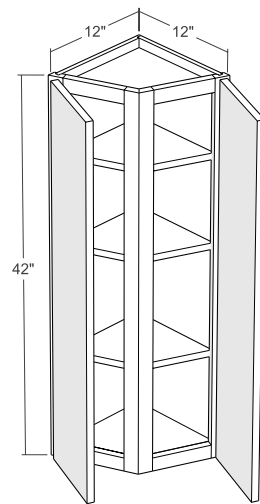
Product	W	D	H
WEC1230	12"	12"	30"



**Wall End Double Door Cabinet**

Two Doors • Two Adjustable Shelves

Product	W	D	H
WEC1236	12"	12"	36"



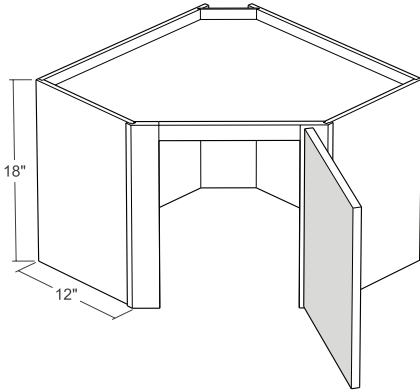
**Wall End Double Door Cabinet**

Two Doors • Three Adjustable Shelves

Product	W	D	H
WEC1242	12"	12"	42"

**Note:**

- Actual Door Width is 8 1/2" each door



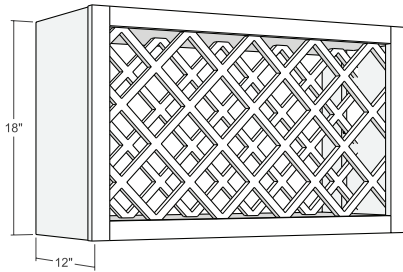
**Diagonal Top of Counter Cabinet**

One Door

Product	W	D	H
CW2418	24"	24"	18"

**Note:**

- Actual Door Width is 14 1/2"
- Fits on counter top between Base and Wall Cabinets.
- Has no floor.
- For Appliance Garage see page 49.

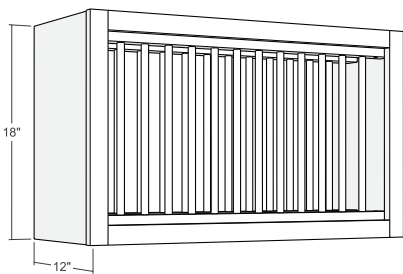


**Wine Rack**

Product	W	D	H
WR3018	30"	12"	18"

**Note:**

- Interior finish matches cabinet exterior.

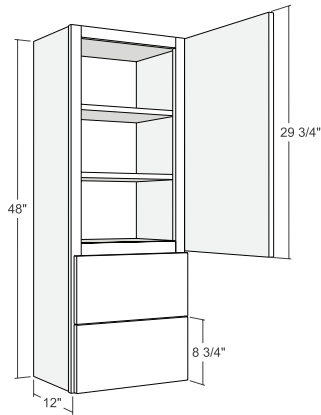


**Plate Rack**

Product	W	D	H
PR3018	30"	12"	18"

**Note:**

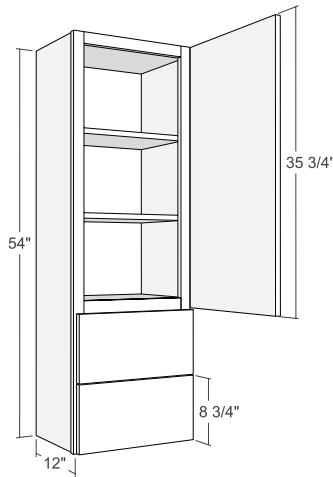
- Interior finish matches cabinet exterior.



**48" Straight Top of Counter Cabinet**

One Door • Two Drawers  
Two Adjustable Shelves

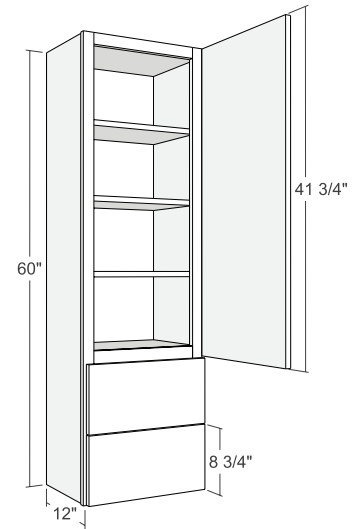
Product	W	D	H
WD1848	18"	12"	48"



**54" Straight Top of Counter Cabinet**

One Door • Two Drawers  
Two Adjustable Shelves

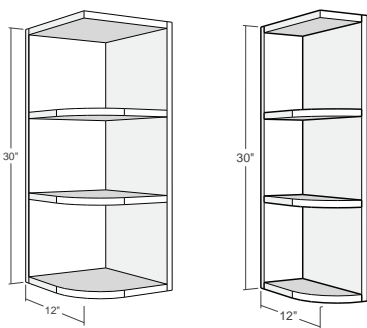
Product	W	D	H
WD1854	18"	12"	54"



**60" Straight Top of Counter Cabinet**

One Door • Two Drawers  
Three Adjustable Shelves

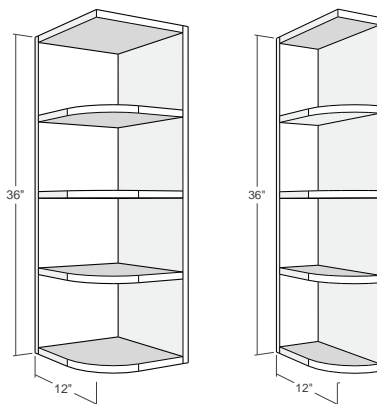
Product	W	D	H
WD1860	18"	12"	60"



**Wall End Open Cabinet**

Two Shelves

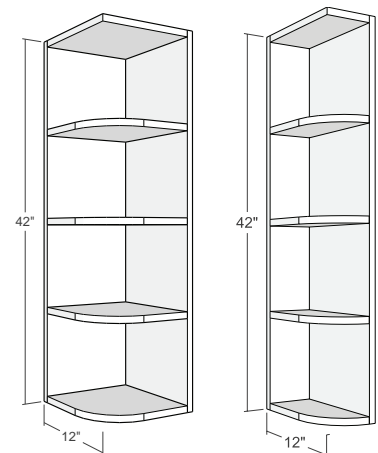
Product	W	D	H
WS630	6"	12"	30"
WS1230	12"	12"	30"



**Wall End Open Cabinet**

Three Shelves

Product	W	D	H
WS636	6"	12"	36"
WS1236	12"	12"	36"



**Wall End Open Cabinet**

Three Shelves

Product	W	D	H
WS642	6"	12"	42"
WS1242	12"	12"	42"

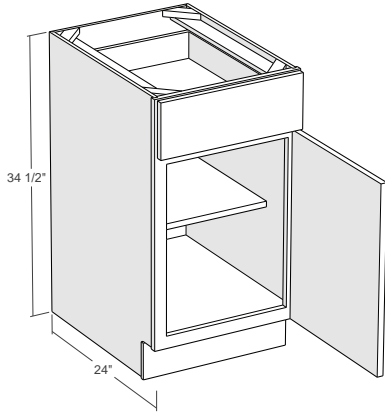
**Notes:**

- Bottom shelf can be modified to be a square shelf, see modifications page.
- Specify right or left opening, Left opening shown.





Milan Collection



**Single Drawer & Door Base Cabinet**

One Door • One Drawer  
One Adjustable Shelf

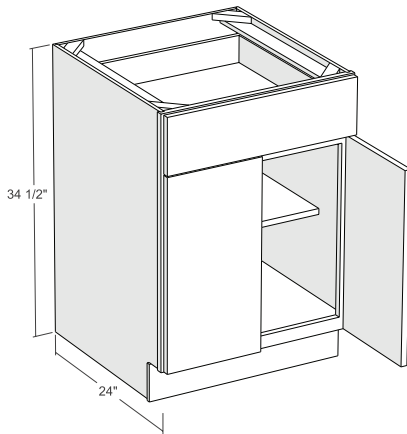
Product	W	D	H
B9	9"	24"	34 1/2"
B12	12"	24"	34 1/2"
B15	15"	24"	34 1/2"
B18	18"	24"	34 1/2"
B21	21"	24"	34 1/2"

**Note:**

- Specify left or right hinge.

**Accessories:**

- For Cutlery divider options see page 47.
- For Pull out shelf options see page 50.
- For Waste Basket options see page 47.



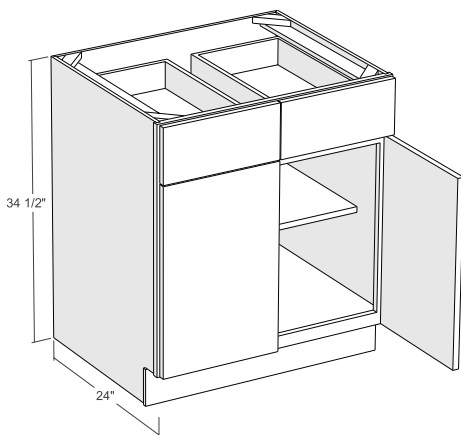
**Single Drawer & Double Door Base Cabinet**

Two Butt Doors • One Drawer  
One Adjustable Shelf

Product	W	D	H
B24	24"	24"	34 1/2"
B27	27"	24"	34 1/2"

**Accessories:**

- For Cutlery divider options see page 47.
- For Pull out shelf options see page 50.



**Double Drawer & Door Base Cabinet**

Two Butt Doors • Two Drawers  
One Adjustable Shelf

Product	W	D	H
B30	30"	24"	34 1/2"
B33	33"	24"	34 1/2"
B36	36"	24"	34 1/2"

**Accessories:**

- For Cutlery divider options see page 47.
- For Pull out shelf options see page 50.

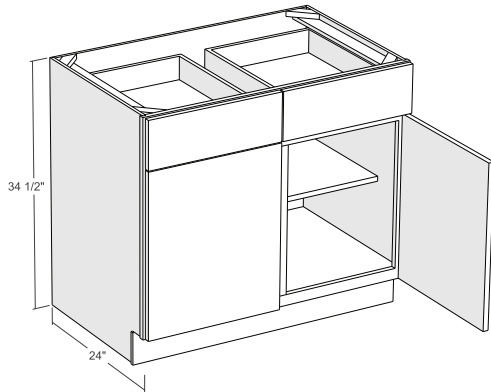
**Double Drawer & Door Base Cabinet**

Two Doors • Two Drawers  
One Adjustable Shelf • Center Stile

Product	W	D	H
B39	39"	24"	34 1/2"
B42	42"	24"	34 1/2"

**Accessories:**

- For Cutlery divider options see page 47.



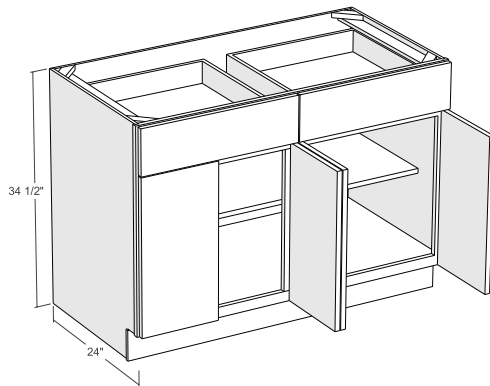
**Double Drawer & 2-Double Door Base Cabinet**

Four Doors • Two Drawers  
One Adjustable Shelf

Product	W	D	H
B48	48"	24"	34 1/2"

**Accessories:**

- For Cutlery divider options see page 47.



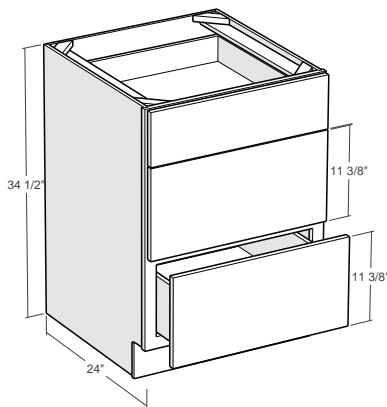
**Three Drawer Base Cabinet**

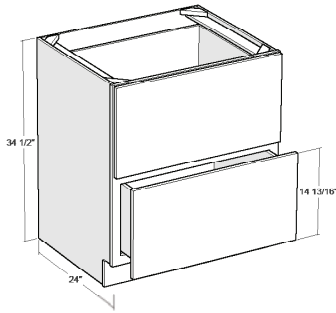
Three Drawers

Product	W	D	H
DB12	12"	24"	34 1/2"
DB15	15"	24"	34 1/2"
DB18	18"	24"	34 1/2"
DB21	21"	24"	34 1/2"
DB24	24"	24"	34 1/2"
DB30	30"	24"	34 1/2"
DB33	33"	24"	34 1/2"
DB36	36"	24"	34 1/2"

**Accessories:**

- For Cutlery divider options see page 47.

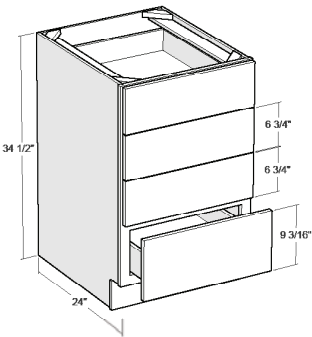




**Two Drawer Base Cabinet**

Two Drawers

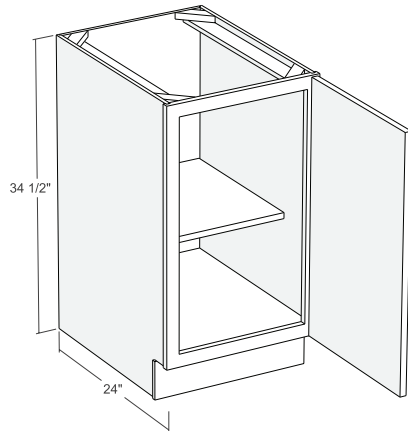
Product	W	D	H
DB30-2	30"	24"	34 1/2"



**Four Drawer Base Cabinet**

Four Drawers

Product	W	D	H
DB15-4	15"	24"	34 1/2"
DB18-4	18"	24"	34 1/2"
DB21-4	21"	24"	34 1/2"
DB30-4	30"	24"	34 1/2"



**Full Height Single Door Base Cabinet**

One Door • One Adjustable Shelf

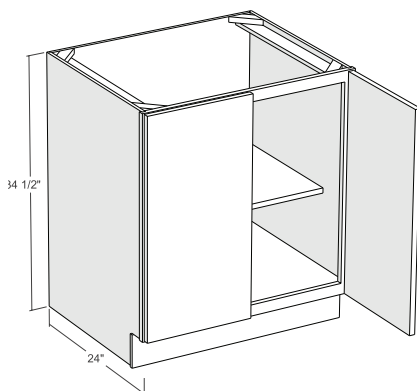
Product	W	D	H
B9FH	9"	24"	34 1/2"
B12FH	12"	24"	34 1/2"
B15FH	15"	24"	34 1/2"
B18FH	18"	24"	34 1/2"
B21FH	21"	24"	34 1/2"

**Note:**

- Specify left or right hinge.

**Accessories:**

- For Pull out shelf options see page 50.
- Spice pull out available for B12FH & B15FH



**Full Height Double Door Base Cabinet**

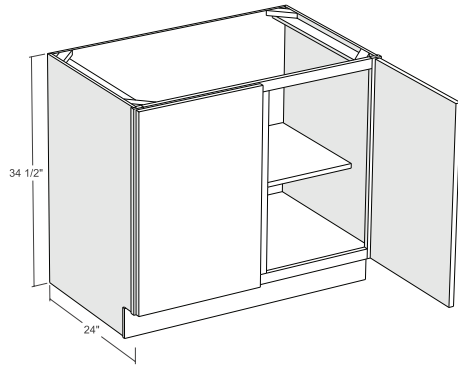
Two Butt Doors • One Adjustable Shelf

Product	W	D	H
B24FH	24"	24"	34 1/2"
B27FH	27"	24"	34 1/2"
B30FH	30"	24"	34 1/2"
B33FH	33"	24"	34 1/2"
B36FH	36"	24"	34 1/2"

**Accessories:**

- For Pull out shelf options see page 50.

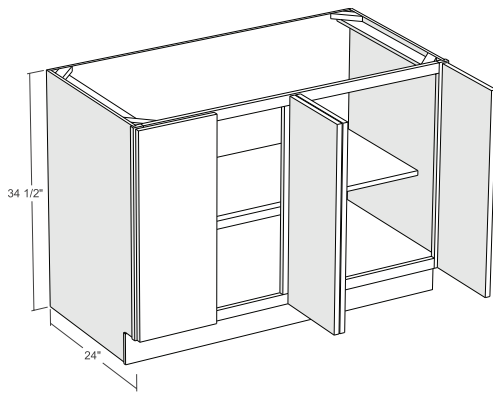




**Full Height Double Door Base Cabinet with Center Stile**

Two Doors • One Adjustable Shelf  
Center Stile

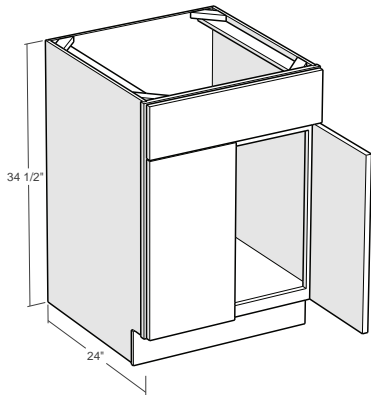
Product	W	D	H
B39FH	39"	24"	34 1/2"
B42FH	42"	24"	34 1/2"



**Full Height 2-Double Door Base Cabinet**

Two Double Doors • One Adjustable Shelf

Product	W	D	H
B48FH	48"	24"	34 1/2"



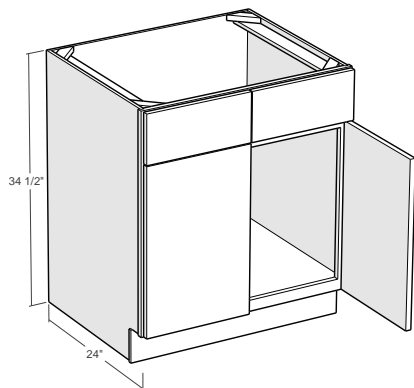
**Single Drawer Front Sink Base Cabinet**

Two Butt Doors • One Drawer Front

Product	W	D	H
SB24	24"	24"	34 1/2"
SB27	27"	24"	34 1/2"

**Accessories:**

- For Pull out shelf options see page 50.
- For tilt out see page 48.



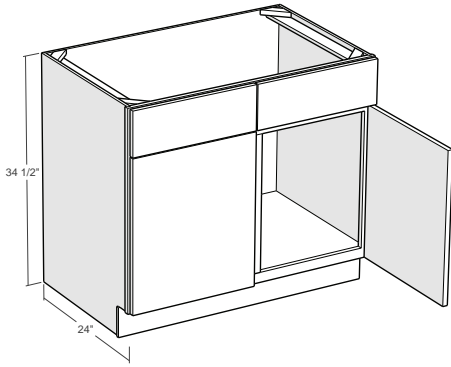
**Double Drawer Front Sink Base Cabinet**

Two Butt Doors • Two Drawer Fronts

Product	W	D	H
SB30	30"	24"	34 1/2"
SB33	33"	24"	34 1/2"
SB36	36"	24"	34 1/2"

**Accessories:**

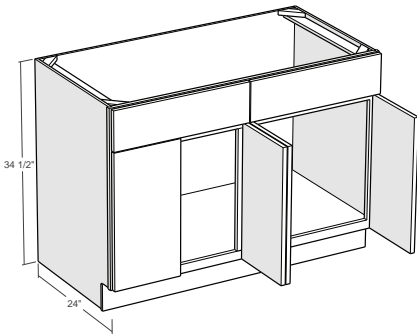
- For Pull out shelf options see page 50.



**Double Drawer Sink Front Base Cabinet**

Two Doors • Two Drawer Fronts  
Center Stile

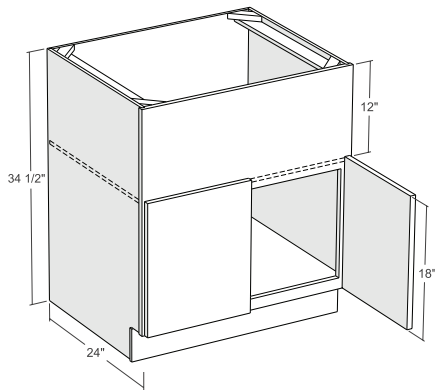
Product	W	D	H
SB39	39"	24"	34 1/2"
SB42	42"	24"	34 1/2"



**Two Drawer & Four Door Sink Base Cabinet**

Two Double Doors

Product	W	D	H
SB48	48"	24"	34 1/2"



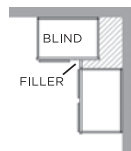
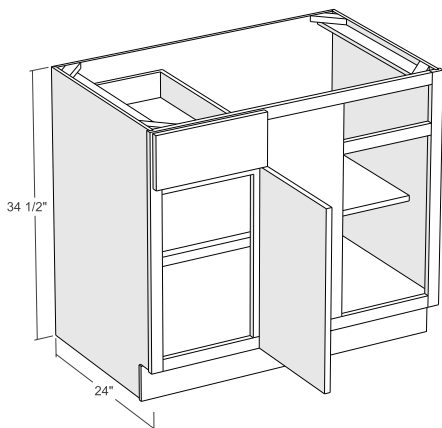
**Farm Sink Base Cabinet**

Two Butt Doors

Product	W	D	H
FS30	30"	24"	34 1/2"
FS33	33"	24"	34 1/2"
FS36	36"	24"	34 1/2"

**Note:**

- To be cut on site, has fixed shelf.
- Added Support to hold sink is necessary.



**Blind Base Cabinet**

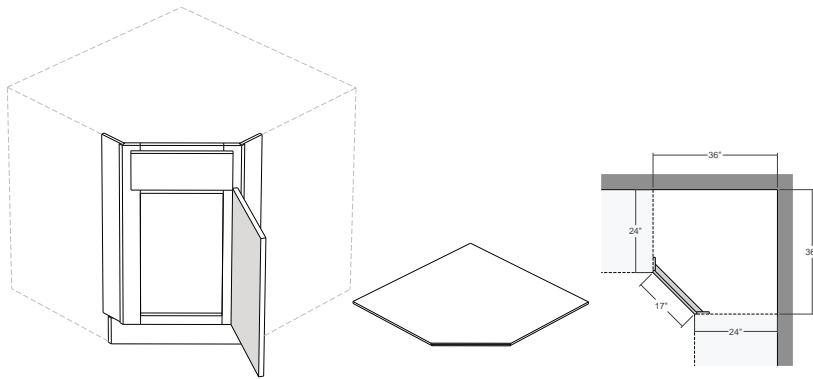
One Door • One Drawer  
One Adjustable Shelf

	Act	Min	Max	Door	Stile	Opening
BLB36/39	27"	36"	39"	8 1/2"	12"	6"
BLB39/42	33"	39"	42"	11 1/2"	12"	9"
BLB42/45	39"	42"	45"	14 1/2"	12"	12"
BLB45/48	42"	45"	48"	17 1/2"	9"	15"
BLB48/51	48"	48"	51"	19"	12"	16 1/2"

Product	W	D	H
BLB36/39	27"	24"	34 1/2"
BLB39/42	33"	24"	34 1/2"
BLB42/45	39"	24"	34 1/2"
BLB45/48*	42"	24"	34 1/2"
BLB48/51*	48"	24"	34 1/2"

**Note:** Specify left or right blind. Blind right shown

**Accessories:** \*For blind corner organizers see page 48.



**Diagonal Corner Sink Front**

One Door • One Drawer Front

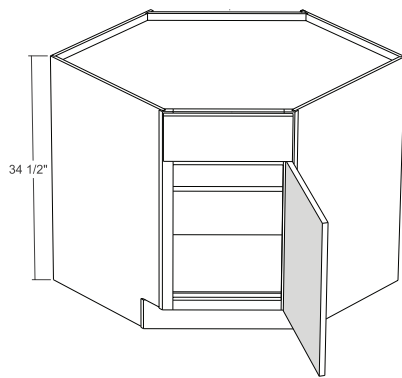
**Product**

CSF36 To fit space of 36"x36"

CSFFL36 Floor part only

**Note:**

- Actual Door Width is 14 1/2"
- CSF36 is the front part only without a cabinet, add item CSFFL36 to add a floor.
- Specify left or right hinge.



**Diagonal Corner Sink Base Cabinet**

One Door • One Drawer Front  
One Fixed Shelf

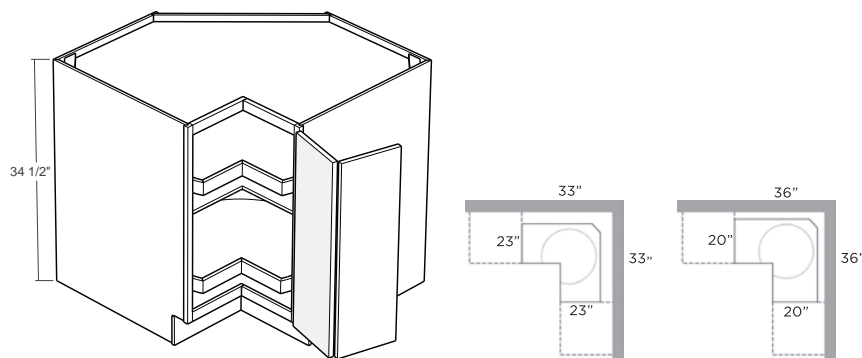
**Product**

CSB33 To fit space of 33"x33"

CSB36 To fit space of 36"x36"

**Note:**

- Actual Door Width on 33" is 10 1/2", Opening is 7 7/8"
- Actual Door Width on 36" is 14 1/2", Opening is 11 7/8"
- Specify left or right hinge.
- Has a full top, top to be cut out on site.



**Corner Base Wood Lazy Susan Cabinet**

Bi-fold Doors • Two Fixed Lazy Susans

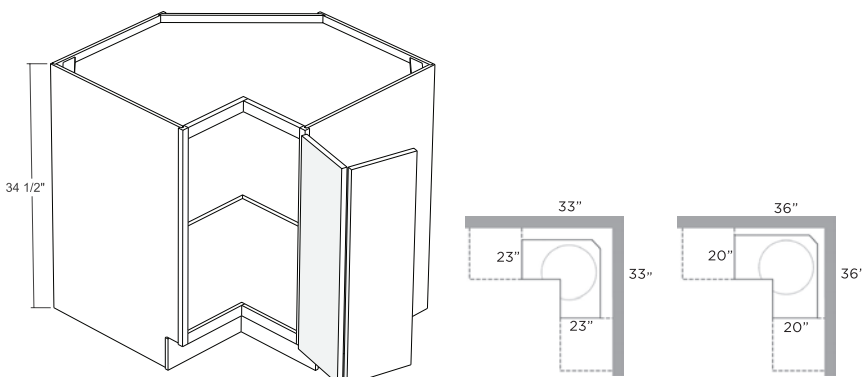
**Product**

BLS33 To fit space of 33"x33"

BLS36 To fit space of 36"x36"

**Note:**

- Actual Door Width on 33" is 7 3/4"
- Actual Door Width on 36" is 10 3/4"
- Specify left or right hinge.
- Has a full top.



**Square Corner Base Cabinet**

Bi-fold doors • One Shelf

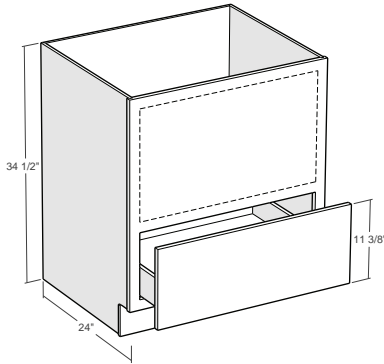
**Product**

BSQC33 To fit space of 33"x33"

BSQC36 To fit space of 36"x36"

**Note:**

- Actual Door Width on 33" is 7 3/4"
- Actual Door Width on 36" is 10 3/4"
- Specify left or right hinge.
- Has a full top.



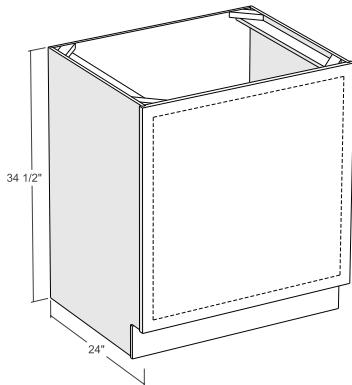
**Base Microwave Cabinet with Drawer**

One Drawer

Product	W	D	H
BM24	24"	24"	34 1/2"
BM30	30"	24"	34 1/2"

**Note:**

- Front panel to be cut on site.
- Comes with a fixed shelf but additional support is recommended.
- Recommended max cut out height 16 1/4".

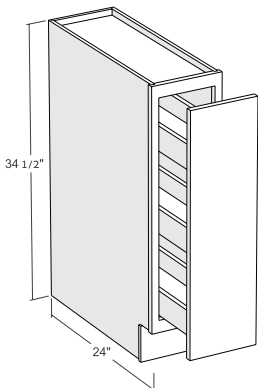


**Oven Base Cabinet**

Product	W	D	H
BO30	30"	24"	34 1/2"
BO33	33"	24"	34 1/2"

**Note:**

- Front panel to be cut on site.
- Recommended max cut out height is 27".



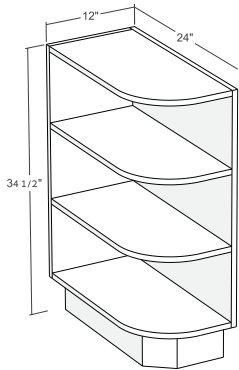
**Spice Base Cabinet**

Product	W	D	H
BSP6	6"	24"	34 1/2"
BSP9	9"	24"	34 1/2"

**Note:**

- Spice pull out included.
- Door matches style profile.
- Non soft-close side mount slides.





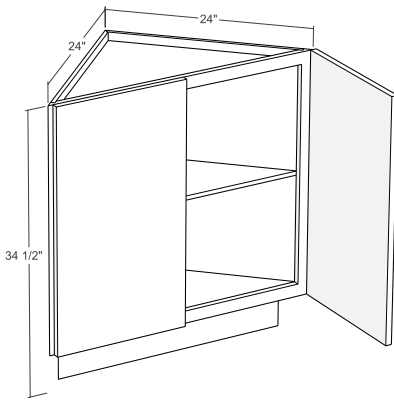
**Base End Open Cabinet**

Two Fixed Shelves

Product	W	D	H
BS24	12"	24"	34 1/2"

**Note:**

- Specify opening left or right.
- Picture shown left opening.



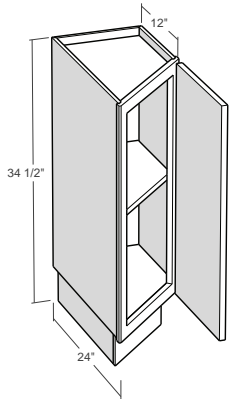
**Base Angle Cabinet**

Two Butt Doors • One Adjustable Shelf

Product	W	D	H
BAC24FH	24"	24"	34 1/2"

**Note:**

- Actual Door Width is 16 1/2 (each)"



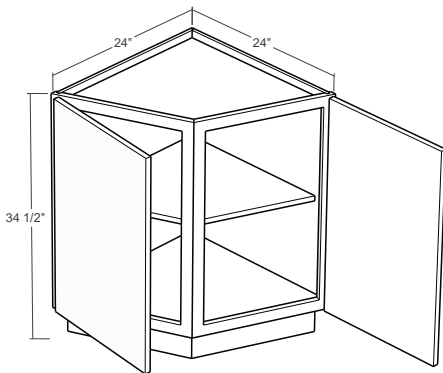
**Base Angle Cabinet**

One Door • One Adjustable Shelf

Product	W	D	H
BAC12FH	12"	24"	34 1/2"

**Note:**

- Actual Door Width is 16 1/8"
- Specify opening left or right.
- Picture shown right.
- Recessed toe kick on the shorter end.



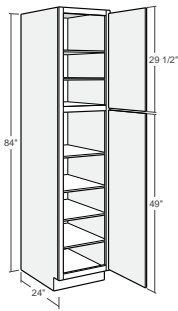
**Base End Cabinet**

Two Doors • One Adjustable Shelf

Product	W	D	H
BEC24	24"	24"	34 1/2"

**Note:**

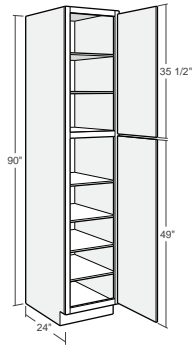
- Actual Door Width is 18 (each)"



**84" Utility Cabinet**

One Top Door • One Lower Door  
Two Top Shelves • Four Bottom Shelves

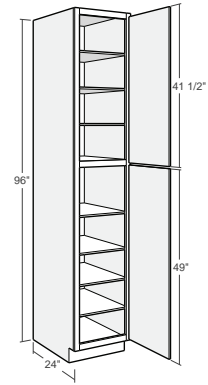
Product	W	D	H
UC1524X84	15"	24"	84"
UC1824X84	18"	24"	84"



**90" Utility Cabinet**

One Top Door • One Lower Door  
Two Top Shelves • Four Bottom Shelves

Product	W	D	H
UC1524X90	15"	24"	90"
UC1824X90	18"	24"	90"



**96" Utility Cabinet**

One Top Door • One Lower Door  
Three Top Shelves • Four Bottom Shelves

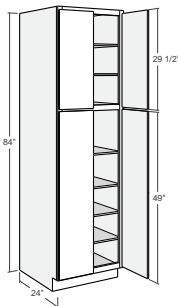
Product	W	D	H
UC1524X96	15"	24"	96"
UC1824X96	18"	24"	96"

**Notes:**

- Specify hinge left or right.
- Bottom door has center rail except in Belmont, Madison, & Milan styles.

**Accessories:**

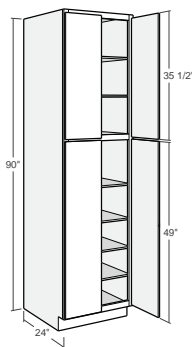
- For pull out shelves see page 50.



**84" Utility Cabinet**

2 Top Doors • 2 Lower Doors  
Two Top Shelves • Four Bottom Shelves

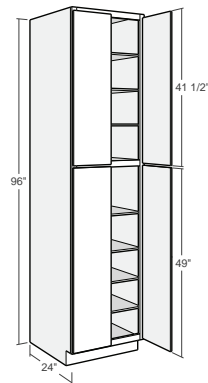
Product	W	D	H
UC2424X84	24"	24"	84"
UC3024X84	24"	30"	84"



**90" Utility Cabinet**

2 Top Doors • 2 Lower Doors  
Two Top Shelves • Four Bottom Shelves

Product	W	D	H
UC2424X90	24"	24"	90"
UC3024X90	24"	30"	90"



**96" Utility Cabinet**

2 Top Doors • 2 Lower Doors  
Three Top Shelves • Four Bottom Shelves

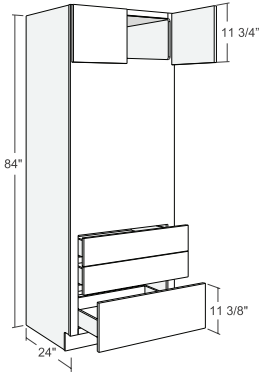
Product	W	D	H
UC2424X96	24"	24"	96"
UC3024X96	24"	30"	96"

**Notes:**

- Bottom door has center rail except in Belmont, Madison, & Milan styles.

**Accessories:**

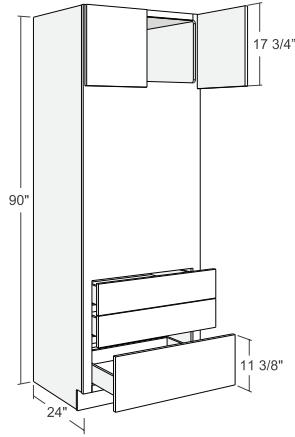
- For pull out shelves see page 50.



**Oven Cabinet**

Two Butt Doors • Three Drawers

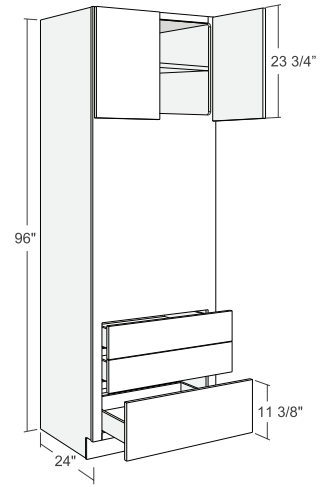
Product	W	D	H
OV3384	33"	24"	84"



**Oven Cabinet**

Two Butt Doors • Three Drawers

Product	W	D	H
OV3390	33"	24"	90"



**Oven Cabinet**

Two Butt Doors • Three Drawers

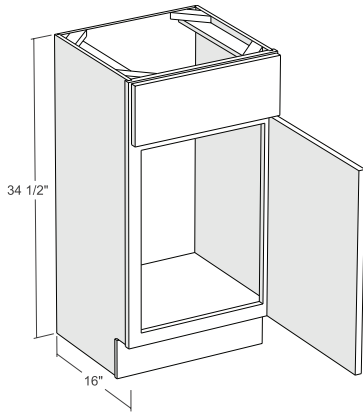
Product	W	D	H
OV3396	33"	24"	96"

**Notes:**

- Max cutout width 30".
- Max height for single oven 42 1/4".
- Max height for double oven 54" (with removal of top two drawers).
- Face Frame to be cut out on job site.
- For all in house custom cut-outs or modifications a cut-out form must be submitted, see wall cutout form page.
- OV3396 comes with one adjustable shelf on top.
- Fixed shelves above the top and bottom drawers but additional support is needed to hold oven.



Madison Collection



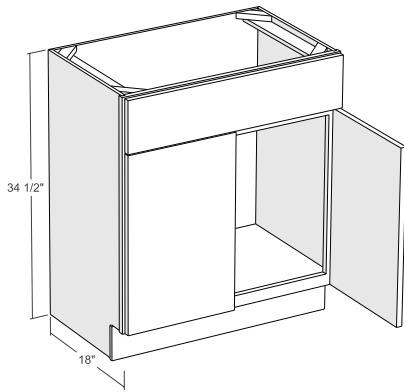
**16" Deep Vanity Sink Base Cabinet**

One Door • One Drawer Front

Product	W	D	H
V1816	18"	16"	34 1/2"

**Note:**

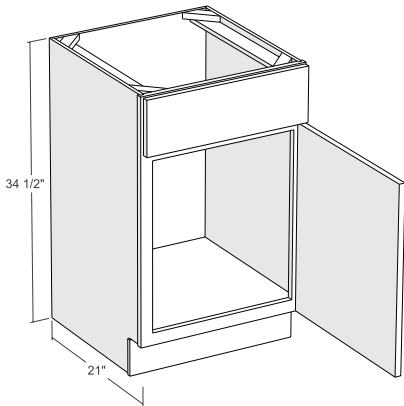
- Specify left or right hinge.



**18" Deep Double Sink Vanity Base Cabinet**

Two Butt Doors • One Drawer Front

Product	W	D	H
V2418	24"	18"	34 1/2"
V3018	30"	18"	34 1/2"



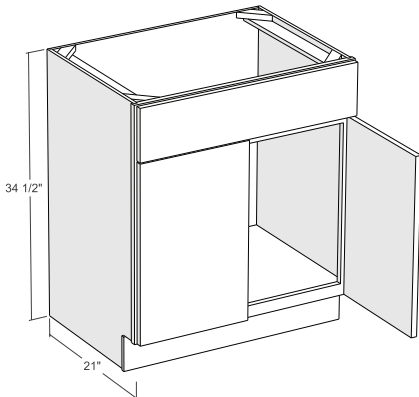
**21" Deep Vanity Sink Base Cabinet**

One Door • One Drawer Front

Product	W	D	H
V2121	21"	21"	34 1/2"

**Note:**

- Specify left or right hinge.

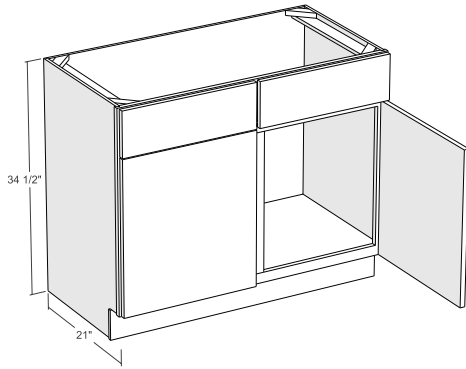


**21" Deep Double Door Vanity Sink Base Cabinet**

Two Butt Doors • One Drawer Front

Product	W	D	H
V2421	24"	21"	34 1/2"
V3021	30"	21"	34 1/2"
V3621	36"	21"	34 1/2"

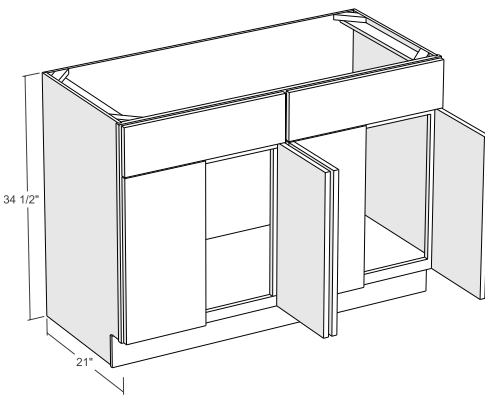




**21" Deep Double Door Vanity Sink Base Cabinet**

Two Doors • Two Drawer Fronts

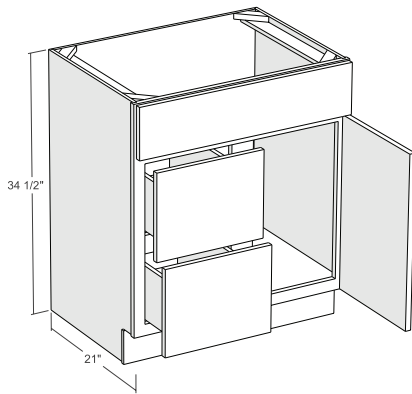
Product	W	D	H
V4221	42"	21"	34 1/2"



**21" Deep Two Double Door Vanity Sink Base Cabinet**

Four Doors • Two Drawer Fronts

Product	W	D	H
V4821	48"	21"	34 1/2"



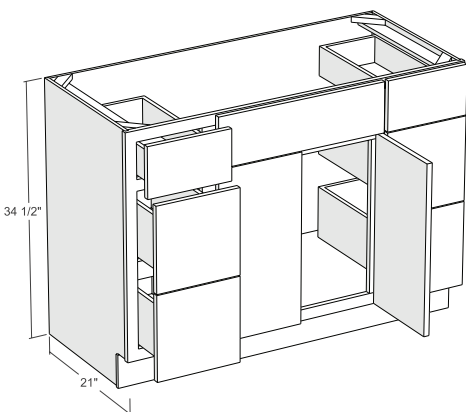
**21" Deep Vanity Sink Drawer Base Cabinet**

One Door • Two Drawers  
One Drawer Front

Product	W	D	H
V2421D	24"	21"	34 1/2"
V3021D	30"	21"	34 1/2"
V3621D	36"	21"	34 1/2"

**Note:**

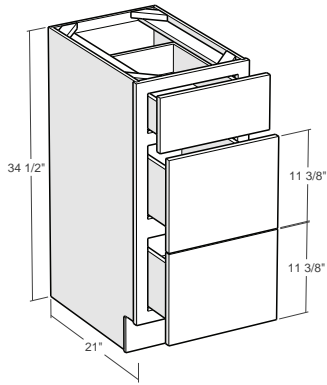
- Must Specify right or left side drawers.



**21" Deep Two Door Two Drawer Vanity Sink Base Cabinet**

Two Butt Doors • Six Drawers  
One Drawer Fronts

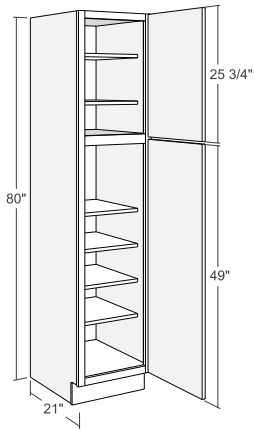
Product	W	D	H
V4821DD	48"	21"	34 1/2"



**21" Deep Vanity Drawer Base Cabinet**

Three Drawers

Product	W	D	H
VDB1221	12"	21"	34 1/2"
VDB1521	15"	21"	34 1/2"
VDB1821	18"	21"	34 1/2"



**Linen Cabinet**

Two Doors • Two Top Shelves

Four Bottom Shelves

Product	W	D	H
VL1821X80	18"	21"	80"

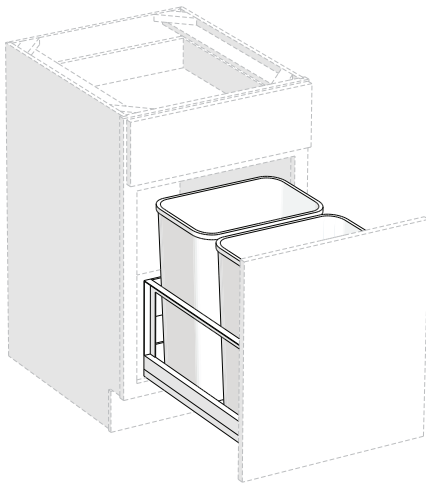
**Notes:**

- Specify hinge left or right.
- Bottom door has center rail except in Belmont, Madison, & Milan styles.



**CABINET**  
**ACCESSORIES, FILLERS & MOLDINGS**

We carry a full line of Rev-A-Shelf  
kitchen accessories.



**Waste Basket**

Full Extension ball bearing slides  
Cabinet not included.

**Product**

- BWBK15

---

- BWBK18

---

- BWBK21

---

- SC-BWBK15 (Soft-Close)

---

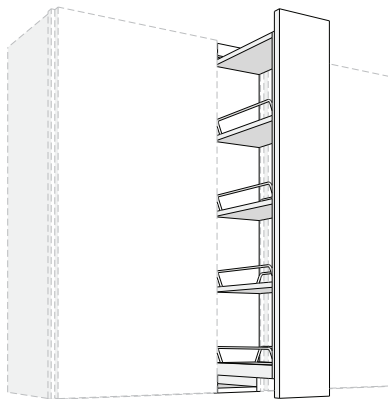
- SC-BWBK18 (Soft-Close)

---

- SC-BWBK21 (Soft-Close)

**Note:**

- Style may differ from image shown
- \*SC-BWBK21 fits B21FH only.



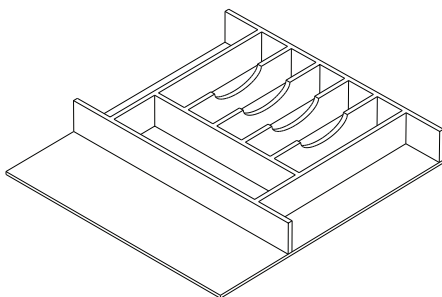
**Wall Pull Out Spice Cabinet**

Cabinet not included.

Product	W	H	D
WSP330	3"	30"	12"
WSP336	3"	36"	12"
WSP342	3"	42"	12"
WSP630	6"	30"	12"
WSP636	6"	36"	12"
WSP642	6"	42"	12"

**Note:**

- Requires a filler, not included.
- Rack Comes Assembled
- To be installed on site between two cabinets.



**Trimmable Cutlery Divider**

Divider to fit to 15", 18" 21" or 24"

**Product**

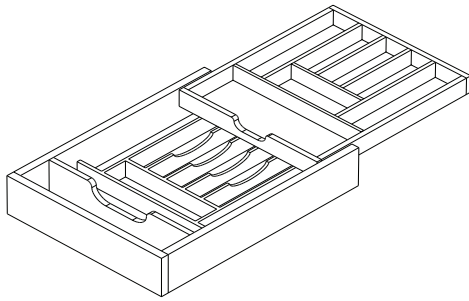
- TCD-15/18

---

- TCD-21/24

**Note:**

- Installation included.



**Drawer Cutlery Divider**

Divider to fit to 15", 18" 21" or 24"

**Product**

DCD-15

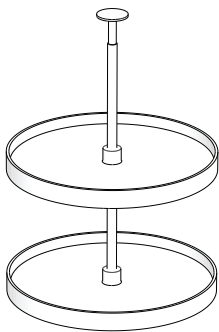
DCD-18

DCD-21

DCD-24

**Note:**

- Installation included.



**Wall Lazy Susan**

**Product**

PLASTIC-LS30

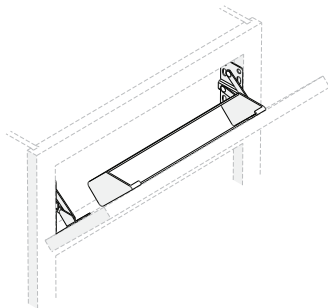
PLASTIC-LS36/42

WOOD-LS30

WOOD-LS36/42

**Note:**

- Installation included.



**Tilt Out Tray**

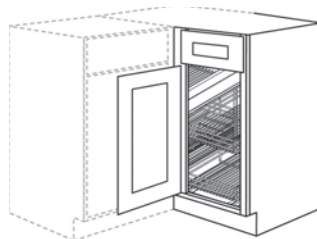
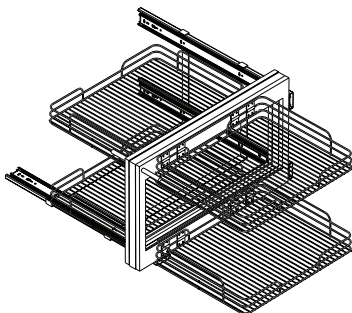
**Product**

TOT-15

TOT-18

**Note:**

- Plastic tilt out
- Installation included



**Blind Corner Optimizer**

**Product**

BCO BLB45

BCO BLB48

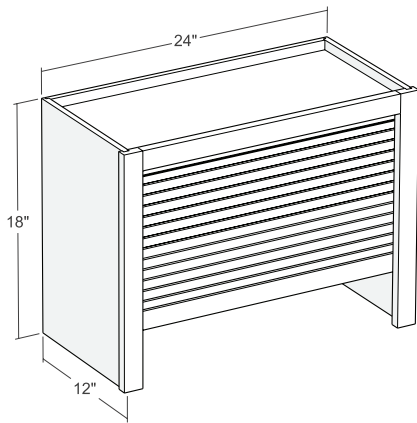
SC-BCO BLB45 (Soft-Close)

SC-BCO BLB48 (Soft-Close)

**Note:**

- Installation included.

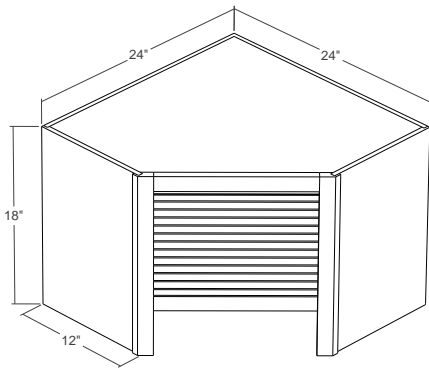




**Appliance Garage**

One Roll Down Door

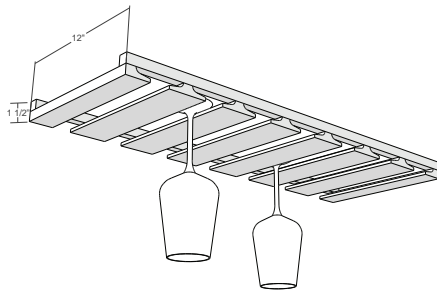
Product	W	D	H
AG2418	24"	12"	18"



**Corner Appliance Garage**

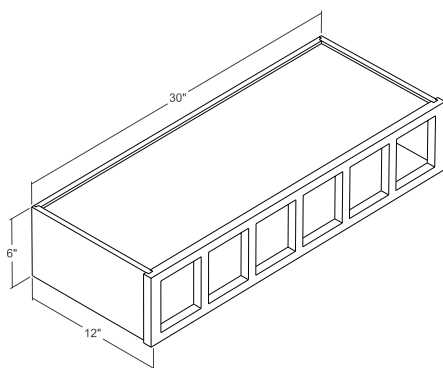
One Roll Down Door

Product	W	D	H
CAG2418	24"	24"	18"



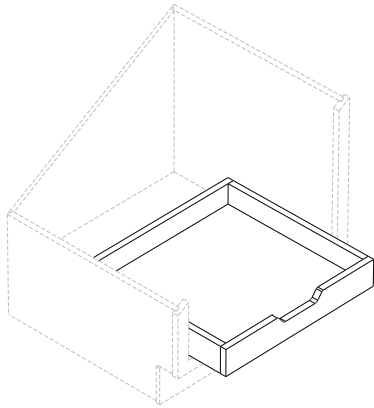
**Stem Glass Rack**

Product	W	D	H
SGR30	30"	12"	1 1/2"
SGR36	36"	12"	1 1/2"



**Wine Cubby**

Product	W	D	H
WCUBY	30"	12"	6"

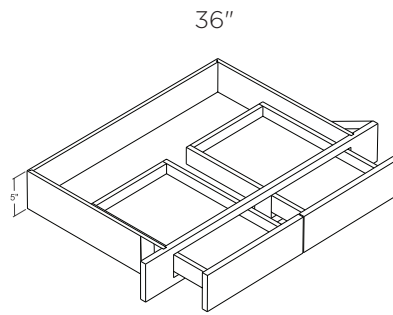
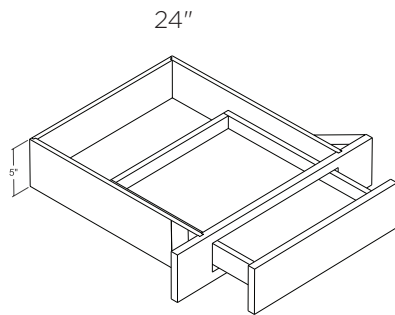


**Pull Out Shelf**

Product	W	D	H
POS12	12"	20"	3 3/8"
POS15	15"	20"	3 3/8"
POS18	18"	20"	3 3/8"
POS21	21"	20"	3 3/8"
POS24	24"	20"	3 3/8"
POS27	27"	20"	3 3/8"
POS30	30"	20"	3 3/8"
POS33	33"	20"	3 3/8"
POS36	36"	20"	3 3/8"

**Note:**

- Width sizes shown above are the cabinet overall width
- Installation not included.
- Soft Close available as an upgrade.

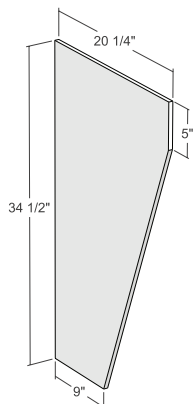


**Desk Drawer**

Product	W	D	H
VDDT24X21	24"	18"	5"
VDDT36X21	36"	18"	5"

**Note:**

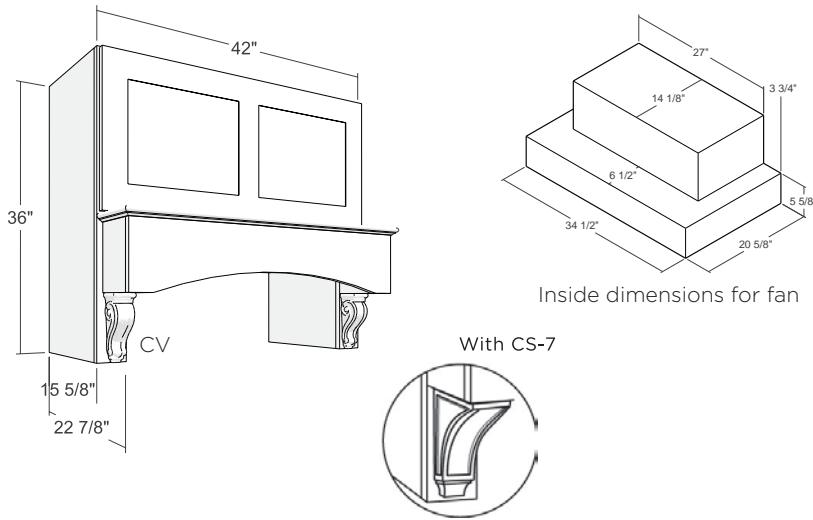
- Can be trimmed 3" from each side.



**Desk End Panel**

Product	W	D	H
DEP24	20 1/4"	3/4"	34 1/2"

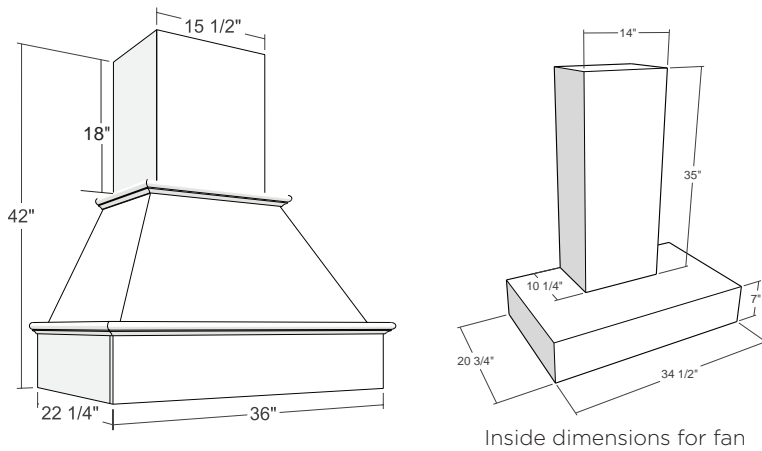
**Range Hood Cabinet**



Product	W	D	H
RHC4236-CV	22 7/8"	42"	36"
RHC4236-CS	22 7/8"	42"	36"

**Note:**

- Inside fully open for exhaust.
- Top Door Hinged up for easy control access.

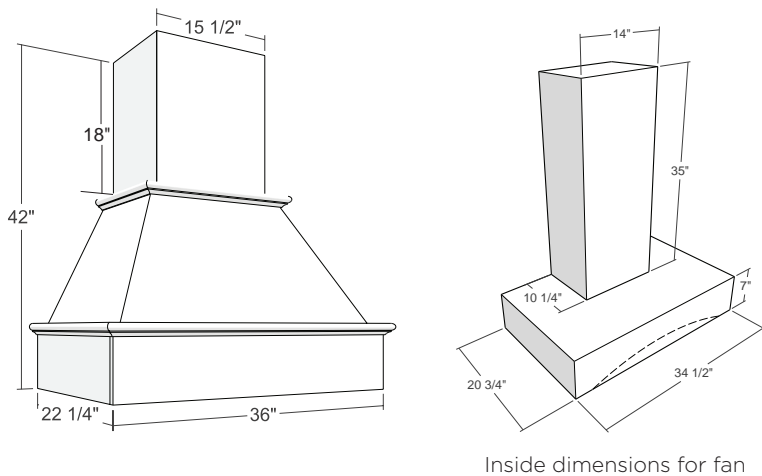


**Range Hood**

Product	W	D	H
RH3642	22 1/4"	36"	42"

**Note:**

- Overall width 38 1/4" including the molding.
- Overall depth 23 3/8" including the molding.

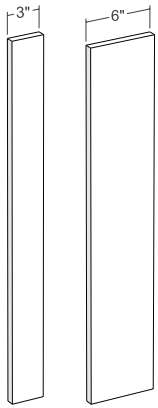


**Range Hood Arched**

Product	W	D	H
RHA3642	22 1/4"	36"	42"

**Note:**

- Overall width 38 1/4" including the molding.
- Overall depth 23 3/8" including the molding.
- Arch height is 2 1/2".

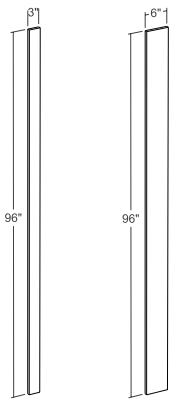


**Wall Filler**

Product	W	D	H
WF330	3"	3/4"	30"
WF336	3"	3/4"	36"
WF342	3"	3/4"	42"
WF630	6"	3/4"	30"
WF636	6"	3/4"	36"
WF642	6"	3/4"	42"

**Note:**

- Finished on all sides.

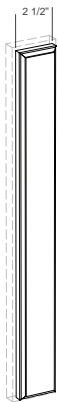


**Tall Filler**

Product	W	D	H
TF396	3"	3/4"	96"
TF696	6"	3/4"	96"
TF1.5X96	1 1/2"	3/4"	96"

**Note:**

- TF1.5X96 has groove to work with REP396
- Finished on all sides.

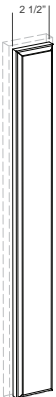


**Overlay Wall & Base Fillers**

Product	W	D	H
OFB3	2 1/2"	3/4"	29 3/4"
OWF330	2 1/2"	3/4"	29 3/4"
OWF336	2 1/2"	3/4"	35 3/4"
OWF342	2 1/2"	3/4"	41 3/4"

**Note:**

- Matches door edge profile.

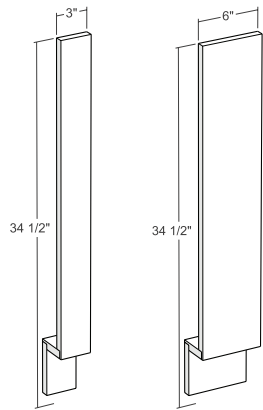


**Overlay Tall Filler**

Product	W	D	H
OTF384	2 1/2"	3/4"	79 1/4"
OTF390	2 1/2"	3/4"	85 1/4"
OTF396	2 1/2"	3/4"	91 1/4"

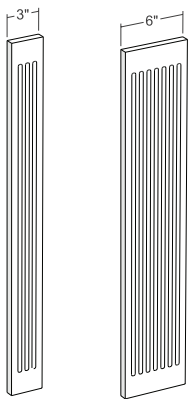
**Note:**

- Matches door edge profile.



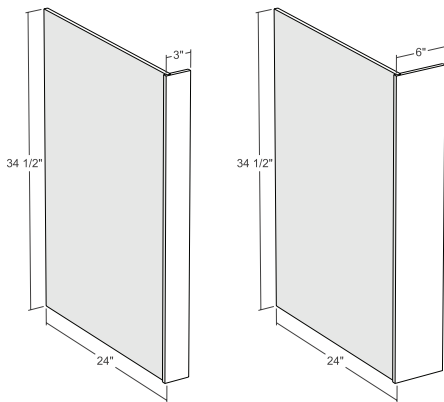
**Base Filler**

Product	W	D	H
BF3	3"		34 1/2"
BF6	6"		34 1/2"



**Fluted Wall and Base Filler**

Product	W	D	H
FF330	3"	3/4"	30"
FF336	3"	3/4"	36"
FF342	3"	3/4"	42"
FF630	6"	3/4"	30"
FF636	6"	3/4"	36"
FF642	6"	3/4"	42"

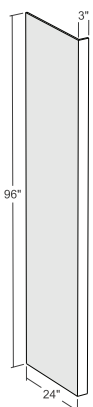


**Dishwasher Return**

Product	W	D	H
DWR3	3"	24"	34 1/2"
DWR6	6"	24"	34 1/2"

**Note:**

- Ships Unassembled.



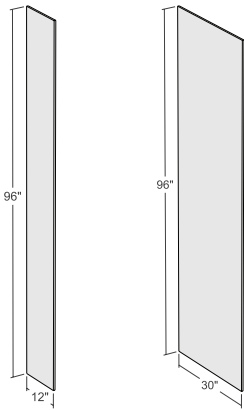
**Refrigerator End Panel**

Product	W	D	H
REP396	3"	24"	96"

**Note:**

- Also available, a 1 1/2" loose filler with groove Item# TF1.5X96
- Ships unassembled.

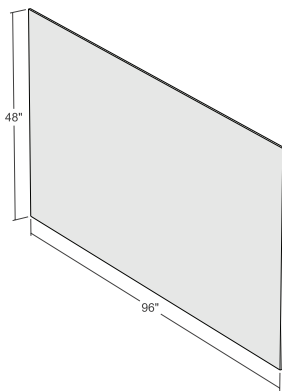




**Universal Refrigerator End Panel**

Product	W	D	H
UREP1296	12"	3/4"	96"
UREP3096	30"	3/4"	96"

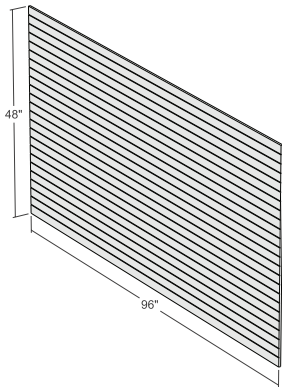
**Note:**  
• Finished Sides



**Plywood Panel**

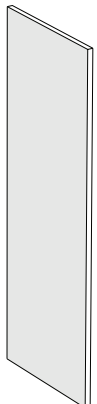
Product	W	D	H
PLY1/4	48"	1/4"	96"
PLY1/2	48"	1/2"	96"
PLY3/4	48"	3/4"	96"

**Note:**  
• PLY1/2 & PLY3/4 only available in Latte



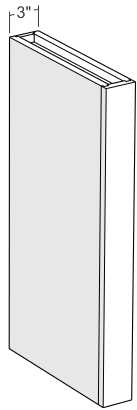
**Beaded Plywood Panel**

Product	W	D	H
PLYB4X8	48"	1/4"	96"



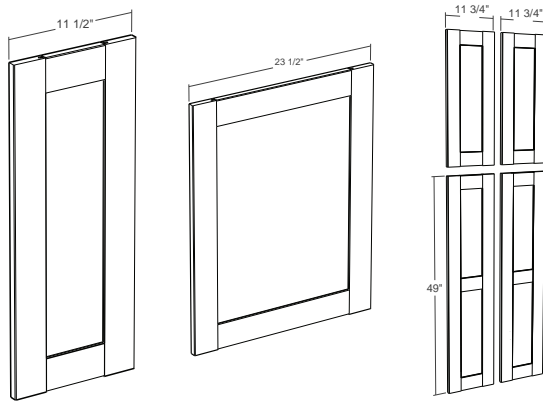
**Wall, Base & Tall Skins**

Product	W	D	H
WES30	11 1/4"	1/4"	30"
WES36	11 1/4"	1/4"	36"
WES42	11 1/4"	1/4"	42"
BES34	23 1/4"	1/4"	34 1/2"
TES96	23 1/4"	1/4"	96"



**Wall, Base & Tall Columns**

Product	W	D	H
CLM-30	3"	15"	30"
CLM-36	3"	15"	36"
CLM-42	3"	15"	42"
CLM-96	3"	27"	96"
CLM- BASE	3"	27"	34 1/2"

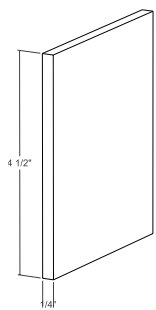


**Wall and Base Decorative Panel**

Product	W	D	H
WDE1230	11 1/2"	3/4"	29 3/4"
WDE1236	11 1/2"	3/4"	35 3/4"
WDE1242	11 1/2"	3/4"	41 3/4"
BDE24	23 1/2"	3/4"	Matches full height door
TDE84	11 3/4" (2x)	3/4"	Top: 29 3/4" Bottom: 49"
TDE90	11 3/4" (2x)	3/4"	Top: 35 3/4" Bottom: 49"
TDE96	11 3/4" (2x)	3/4"	Top: 41 3/4" Bottom: 49"

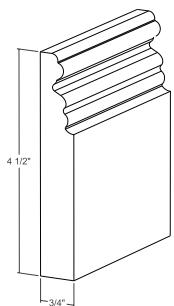
**Note:**

- TDE matches doors of UC24

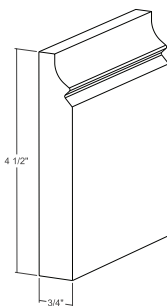


**Toe Kick**

Product	W	D	H
TKS	96"	1/4"	4 1/2"



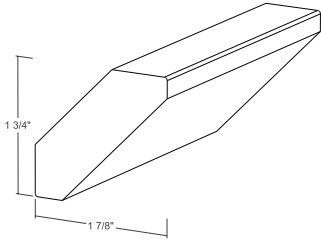
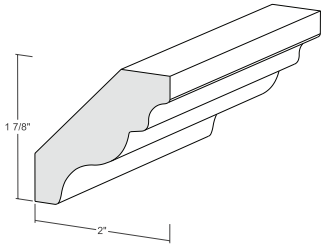
BSM



BSMS

**Base**

Product	W	D	H
BSM	96"	3/4"	4 1/2"
BSMS	96"	3/4"	4 1/2"

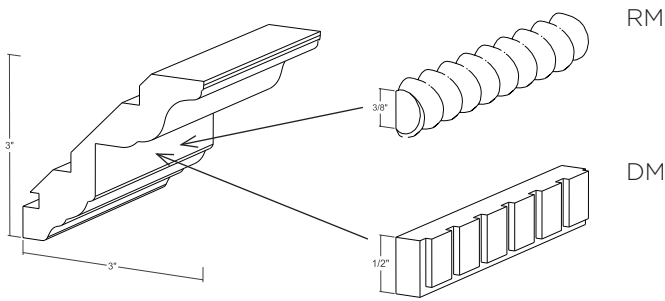


**Crown**

Product	W	D	H
CRM	96"	2"	1 7/8"

**Shaker Crown**

Product	W	D	H
CRMS	96"	1 7/8"	1 3/4"

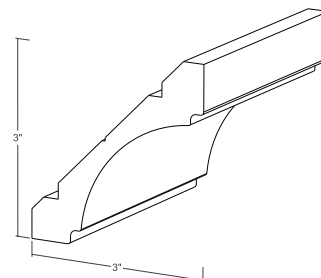
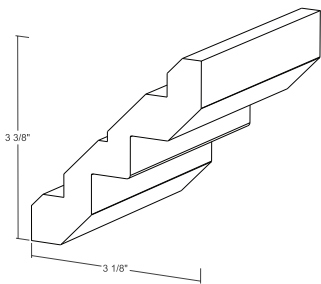


RM

DM

**Royal Crown**

Product	W	D	H
RCRM	96"	3"	3"
RM	96"		3/8"
DM	96"		1/2"

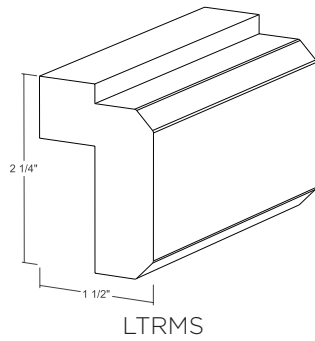
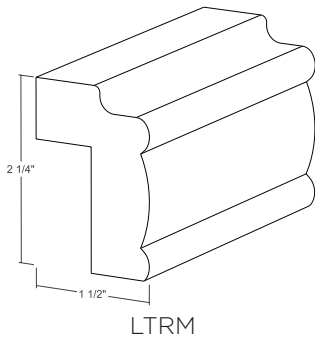


**Royal Shaker Crown**

Product	W	D	H
RCRMS	96"	3"	3 3/8"

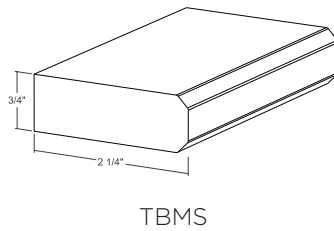
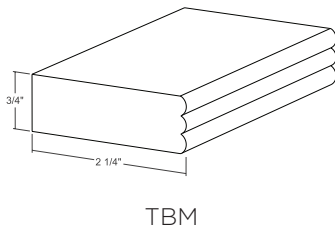
**Curved Royal Shaker Crown**

Product	W	D	H
RCRMC	96"	3"	3"



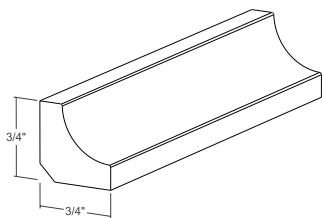
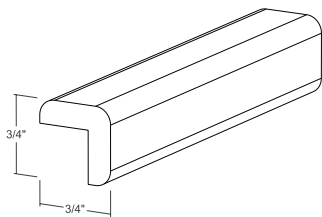
**Light Rail**

Product	W	D	H
LTRM	96"	1 1/2"	2 1/4"
LTRMS	96"	1 1/2"	2 1/4"



**Trim Beaded**

Product	W	D	H
TBM	96"	2 1/4"	3/4"
TBMS	96"	2 1/4"	3/4"

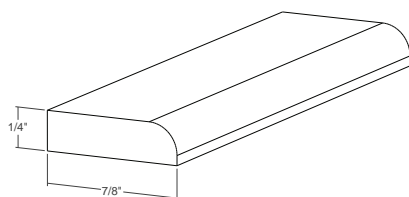


**Outside Corner**

Product	W	D	H
OCM	96"	3/4"	3/4"

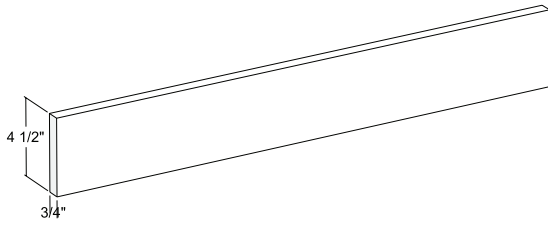
**Inside Corner**

Product	W	D	H
ICM	96"	3/4"	3/4"



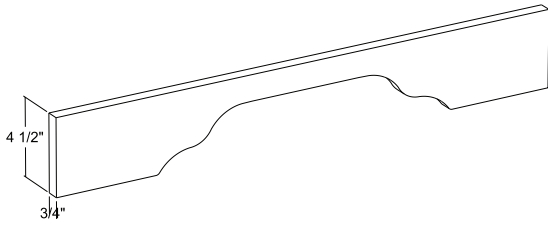
**Scribe**

Product	W	D	H
SCM	96"	7/8"	1/4"



**Valance**

Product	W	D	H
VAL-30	30"	3/4"	4 1/2"
VAL-48	48"	3/4"	4 1/2"
VAL-60	60"	3/4"	4 1/2"

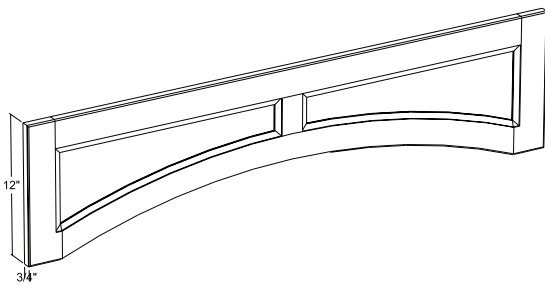


**Elegant Arch Valance**

Product	W	D	H
VAL1-30	30"	3/4"	4 1/2"
VAL1-48	48"	3/4"	4 1/2"
VAL1-60	60"	3/4"	4 1/2"

**Note:**

- Can be trimmed 3" from each side.



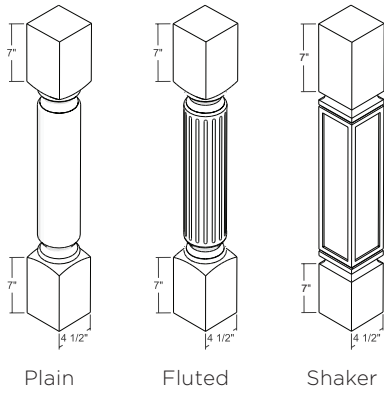
**Valance 2**

Product	W	D	H
VAL2-48	48"	3/4"	12"
VAL2-60	60"	3/4"	12"

**Note:**

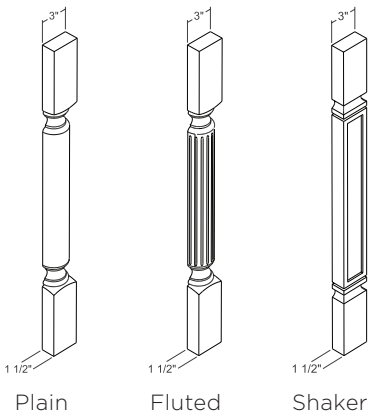
- Cannot be trimmed.
- Matches door profile.
- Not available in all styles





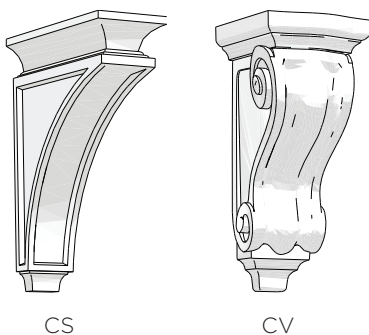
**Post**

Product	W	D	H
POST-P36	4 1/2"	4 1/2"	35 1/4"
POST-F36	4 1/2"	4 1/2"	35 1/4"
POST-S36	4 1/2"	4 1/2"	35 1/4"



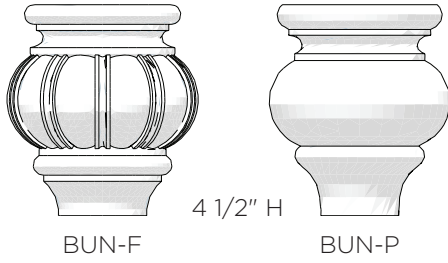
**Spindle**

Product	W	D	H
SPINBASE-P	3"	1 1/2"	34 1/2"
SPIN-P-30	3"	1 1/2"	30"
SPIN-P-36	3"	1 1/2"	36"
SPIN-P-42	3"	1 1/2"	42"
SPIN BASE-F	3"	1 1/2"	34 1/2"
SPIN-F-30	3"	1 1/2"	30"
SPIN-F-36	3"	1 1/2"	36"
SPIN-F-42	3"	1 1/2"	42"
SPINBASE-S	3"	1 1/2"	34 1/2"
SPIN-S-30	3"	1 1/2"	30"
SPIN-S-36	3"	1 1/2"	36"
SPIN-S-42	3"	1 1/2"	42"



**Corbel Plain**

Product	W	D	H
CS7	2"	5 3/8"	7"
CS10	3"	7 1/2"	10"
CV7	3"	2 3/8"	7"
CV10	4 3/8"	3 1/2"	10"

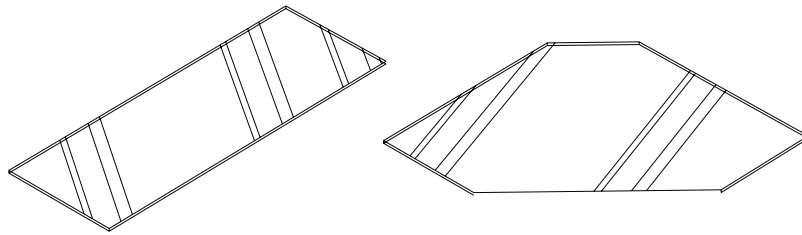


BUN-F

BUN-P

**Bun Feet**

Product
BUN-F
BUN-P



**Glass Shelf**

Product
GLASS SHELF 12
GLASS SHELF 15
GLASS SHELF 18
GLASS SHELF 24
GLASS SHELF 30
GLASS SHELF 36
CW GLASS SHELF 24
CW GLASS SHELF 27

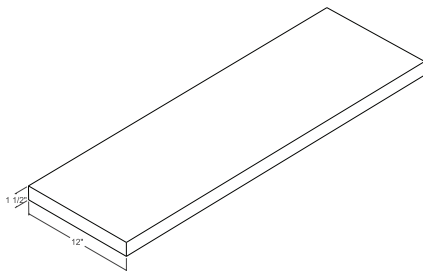


TUK

Pint

**Touch Up Kit**

Product
TUK
PINT



**Floating Shelf**

Product	W	D	H
FLOATING SHELF-30	30"	12"	1 1/2"
FLOATING SHELF-60	60"	12"	1 1/2"
FLOATING SHELF-96	96"	12"	1 1/2"

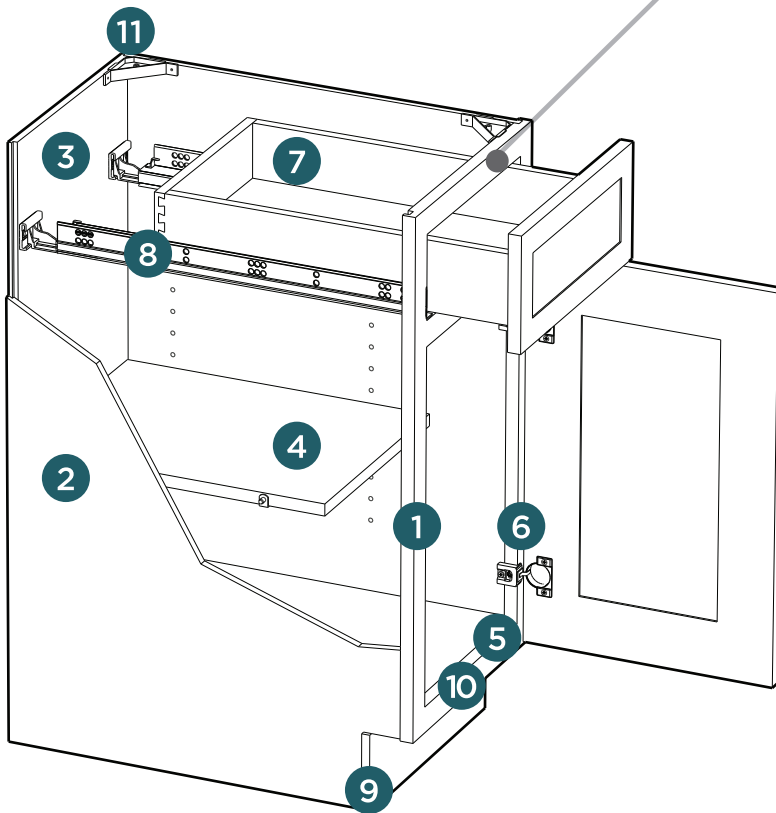
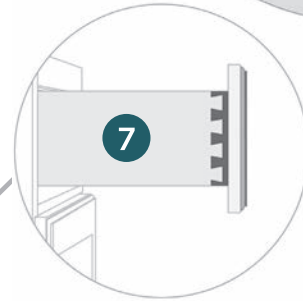
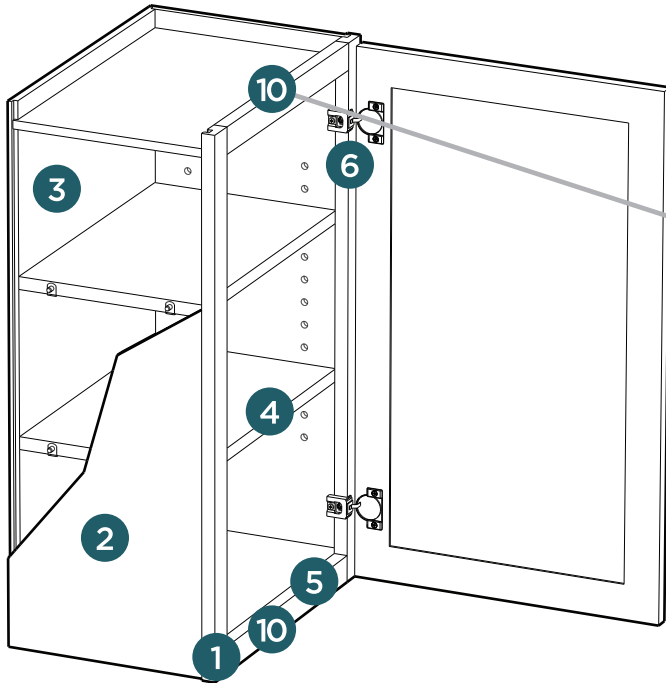
**Note:**

- Does not come with brackets, see modification pages for cut to size.
- Solid Wood



Ridgefield Collection

# CABINET CONSTRUCTION



## Cabinet Specs

- |    |   |
|----|---|
| 1  | 1 1/2" Wide x 3/4" thick Face Frame   |
| 2  | 1/2" Veneered plywood Side Panels grooved into face frame   |
| 3  | 1/2" Veneered plywood back with natural finished interior   |
| 4  | 3/4" Veneered plywood full depth adjustable shelf with matching Edge Banding (base cabinet shelf depth 18") |
| 5  | Floor is flush with the frame   |
| 6  | Concealed 6-way adjustable Soft-Close hinge   |
| 7  | 5/8" Dovetail Solid Wood Drawer Box   |
| 8  | Full extension Soft-Close under-mount Slides  |
| 9  | 1/2" Veneered plywood Toe Kick Matches exterior finish  |
| 10 | Wooden Corner Blocks  |
| 11 | Plastic Corner Brackets added for addition strength and stability   |



## LATTE

H

<b>DOOR FRAME</b>	2" x 3/4" Solid Wood Construction with Mortise and Tenon Joints
<b>CENTER PANEL</b>	1/4" MDF Panel
<b>DRAWER FRONT</b>	5-Piece matches door design, Height 6 3/4"
<b>HARDWARE</b>	Concealed 6-Way Adjustable Soft-Close Hinge, Full extension Soft-Close under-mount Slides
<b>OVERLAY</b>	Full Overlay



## PASTEL

H

<b>DOOR FRAME</b>	2" x 3/4" Solid Wood Construction with Mortise and Tenon Joints
<b>CENTER PANEL</b>	1/4" MDF Panel
<b>DRAWER FRONT</b>	5-Piece matches door design, Height 6 3/4"
<b>HARDWARE</b>	Concealed 6-Way Adjustable Soft-Close Hinge, Full extension Soft-Close under-mount Slides
<b>OVERLAY</b>	Full Overlay



## LATTE



<b>DOOR FRAME</b>	2 1/4" x 3/4" Solid Wood Construction with Mortise and Tenon Joints
<b>CENTER PANEL</b>	1/4" MDF Center Panel
<b>DRAWER FRONT</b>	5-Piece center panel matches door design Height 6 3/4"
<b>HARDWARE</b>	Concealed 6-Way Adjustable Soft-Close Hinge, Full Extension Soft-Close under-mount Slides
<b>OVERLAY</b>	Full Overlay



## PASTEL

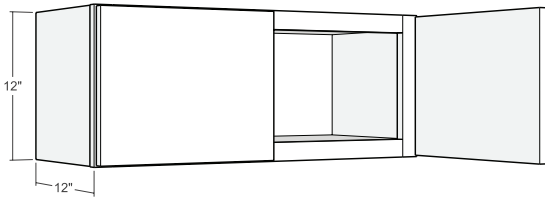


<b>DOOR FRAME</b>	2 1/4" x 3/4" Solid Wood Construction with Mortise and Tenon Joints
<b>CENTER PANEL</b>	1/4" MDF Center Panel
<b>DRAWER FRONT</b>	5-Piece center panel matches door design Height 6 3/4"
<b>HARDWARE</b>	Concealed 6-Way Adjustable Soft-Close Hinge, Full Extension Soft-Close under-mount Slides
<b>OVERLAY</b>	Full Overlay





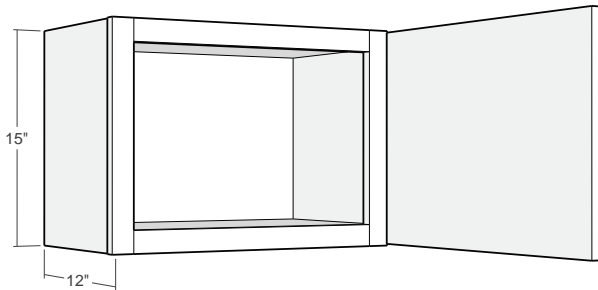
Oxford Collection



**12" High Wall Cabinet**

Two Butt Doors

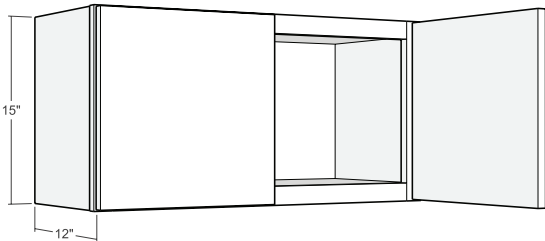
Product	W	D	H
W3012	30"	12"	12"
W3612	36"	12"	12"



**15" High Wall Cabinet**

One Door

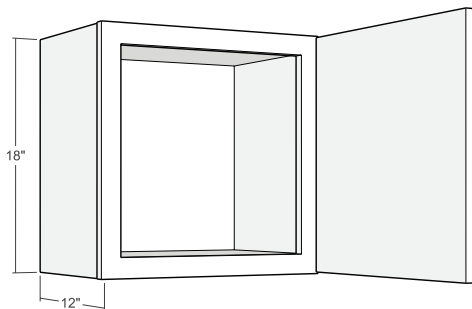
Product	W	D	H
W2115	21"	12"	15"



**15" High Wall Cabinet**

Two Butt Doors

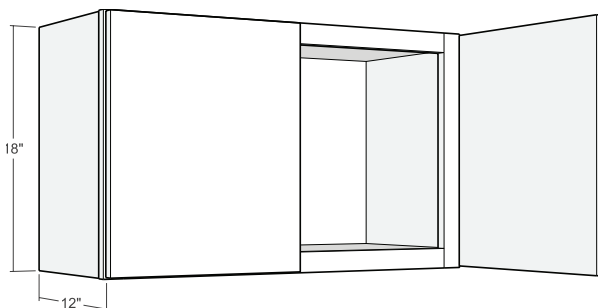
Product	W	D	H
W2415	24"	12"	15"
W3015	30"	12"	15"
W3315	33"	12"	15"
W3615	36"	12"	15"



**18" High Wall Cabinet**

One Door

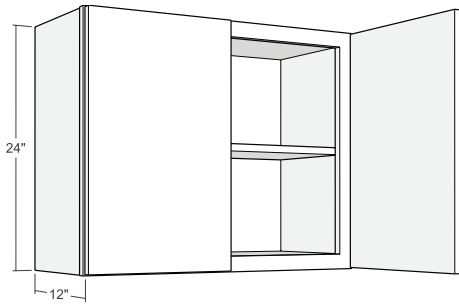
Product	W	D	H
W2118	21"	12"	18"



**18" High Wall Cabinet**

Two Butt Doors

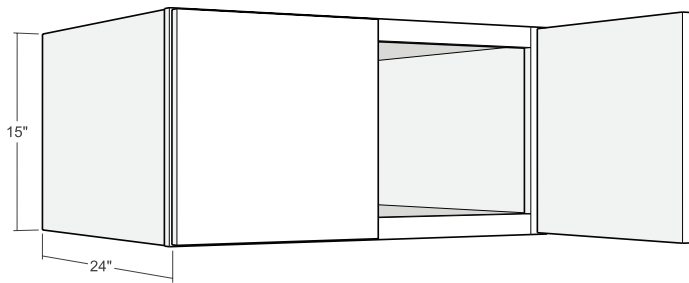
Product	W	D	H
W2418	24"	12"	18"
W3018	30"	12"	18"
W3318	33"	12"	18"
W3618	36"	12"	18"



**24" High Wall Cabinet**

Two Butt Doors • One Adjustable Shelf

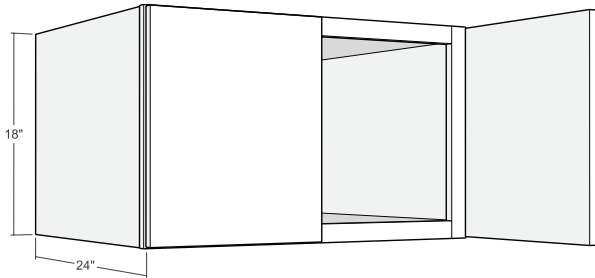
Product	W	D	H
W2424	24"	12"	24"
W3024	30"	12"	24"
W3324	33"	12"	24"
W3624	36"	12"	24"



**24" Deep Wall Cabinet**

Two Butt Doors

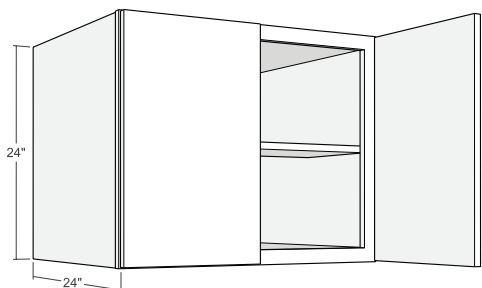
Product	W	D	H
W3015X24	30"	24"	15"
W3315X24	33"	24"	15"
W3615X24	36"	24"	15"



**24" Deep Wall Cabinet**

Two Butt Doors

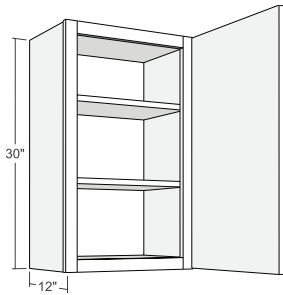
Product	W	D	H
W3018X24	30"	24"	18"
W3318X24	33"	24"	18"
W3618X24	36"	24"	18"



**24" Deep Wall Cabinet**

Two Butt Doors • One Adjustable Shelf

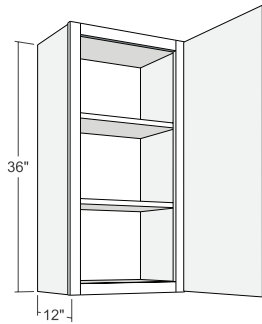
Product	W	D	H
W3024X24	30"	24"	24"
W3324X24	33"	24"	24"
W3624X24	36"	24"	24"



**30" High Wall Cabinet**

One Door • Two Adjustable Shelves

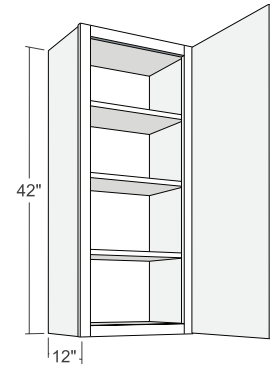
Product	W	D	H
W930	9"	12"	30"
W1230	12"	12"	30"
W1530	15"	12"	30"
W1830	18"	12"	30"
W2130	21"	12"	30"



**36" High Wall Cabinet**

One Door • Two Adjustable Shelves

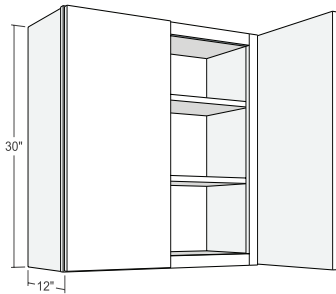
Product	W	D	H
W936	9"	12"	36"
W1236	12"	12"	36"
W1536	15"	12"	36"
W1836	18"	12"	36"
W2136	21"	12"	36"



**42" High Wall Cabinet**

One Door • Three Adjustable Shelves

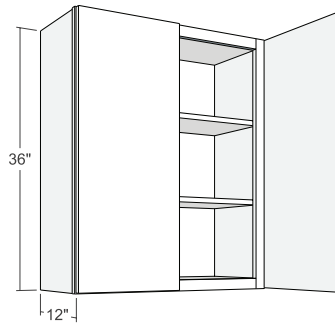
Product	W	D	H
W942	9"	12"	42"
W1242	12"	12"	42"
W1542	15"	12"	42"
W1842	18"	12"	42"
W2142	21"	12"	42"



**30" High Wall Cabinet**

Two Butt Doors • Two Adjustable Shelves

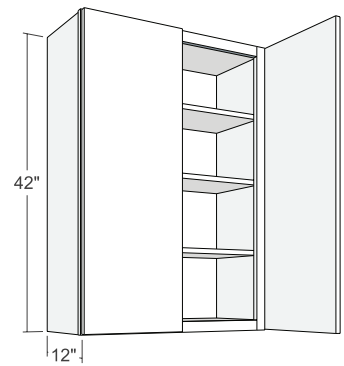
Product	W	D	H
W2430	24"	12"	30"
W2730	27"	12"	30"
W3030	30"	12"	30"
W3330	33"	12"	30"
W3630	36"	12"	30"



**36" High Wall Cabinet**

Two Butt Doors • Two Adjustable Shelves

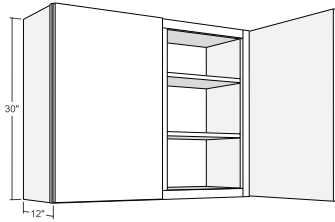
Product	W	D	H
W2436	24"	12"	36"
W2736	27"	12"	36"
W3036	30"	12"	36"
W3336	33"	12"	36"
W3636	36"	12"	36"



**42" High Wall Cabinet**

Two Butt Doors • Three Adjustable Shelves

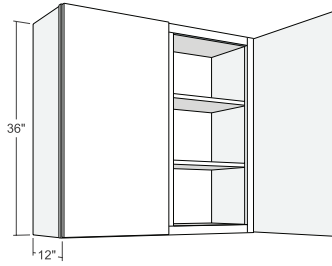
Product	W	D	H
W2442	24"	12"	42"
W2742	27"	12"	42"
W3042	30"	12"	42"
W3342	33"	12"	42"
W3642	36"	12"	42"



**30" High Wall Cabinet**

Two Doors • Two Adjustable Shelves  
Center Stile

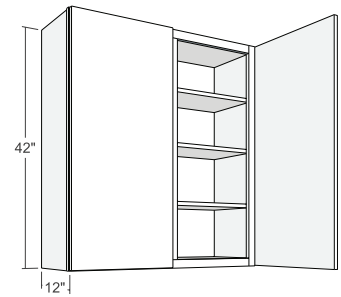
Product	W	D	H
W3930	39"	12"	30"
W4230	42"	12"	30"



**36" High Wall Cabinet**

Two Doors • Two Adjustable Shelves  
Center Stile

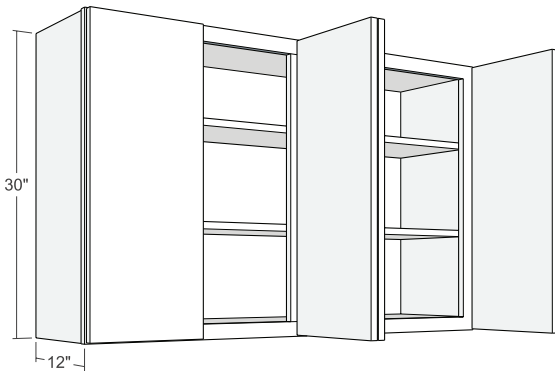
Product	W	D	H
W3936	39"	12"	36"



**42" High Wall Cabinet**

Two Doors • Three Adjustable Shelves  
Center Stile

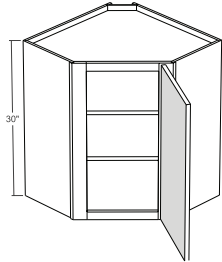
Product	W	D	H
W3942	39"	12"	42"



**30" High Wall Cabinet**

Four Doors • Two Adjustable Shelves

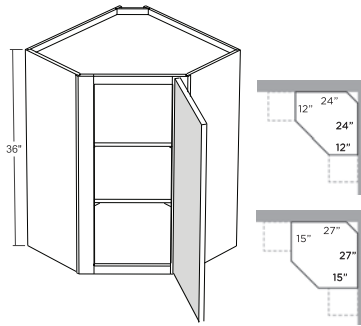
Product	W	D	H
W4830	48"	12"	30"



**30" High Corner Wall Cabinet**

One Door • Two Adjustable Shelves

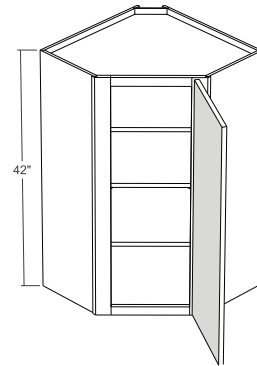
Product	W	D	H
CW2430	24"	12"	30"



**36" High Corner Wall Cabinet**

One Door • Two Adjustable Shelves

Product	W	D	H
CW2436	24"	12"	36"
CW2736	27"	12"	36"



**42" High Corner Wall Cabinet**

One Door • Three Adjustable Shelves

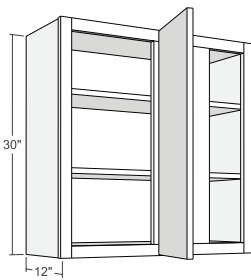
Product	W	D	H
CW2442	24"	12"	42"
CW2742	27"	12"	42"

**Notes:**

- Actual Door Width is 14 1/2"

**Accessories:**

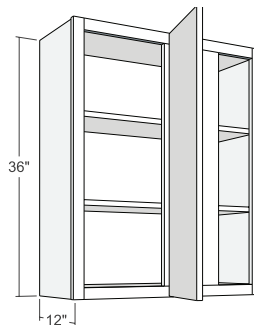
- For Lazy Susans see page 85.



**30" High Blind Corner Wall Cabinet**

One Door • Two Adjustable Shelves

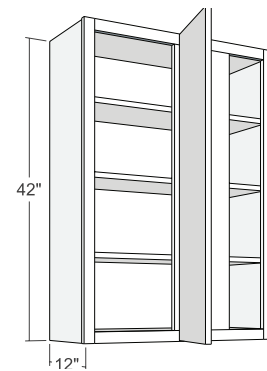
Product	W	D	H
BLW24/2730	24"	27"	30"
BLW30/3330	30"	33"	30"
BLW36/3930	36"	39"	30"



**36" High Blind Corner Wall Cabinet**

One Door • Two Adjustable Shelves

Product	W	D	H
BLW24/2736	24"	27"	36"
BLW36/3936	36"	39"	36"



**42" High Blind Corner Wall Cabinet**

One Door • Three Adjustable Shelves

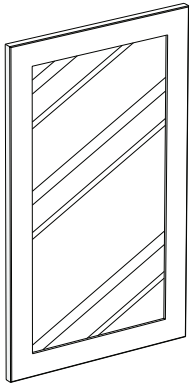
Product	W	D	H
BLW24/2742	24"	27"	42"
BLW36/3942	36"	39"	42"

**Notes:**

- Filler is required for all Blind Corner Cabinets, not included.

	Act	Min	Max	Door	Stile	Opening
BLW24/27	24"	25"	27"	10 1/4"	6"	7 3/4"
BLW30/33	30"	31"	33"	16 1/4"	6"	13 3/4"
BLW36/39	36"	37"	39"	22 1/4"	6"	19 3/4"





**30" High Glass Door**

Clear Glass

Product	W	H
GD1230	12"	30"
GD1530	15"	30"
GD1830	18"	30"
GD2430	24"	30"
GD3030	30"	30"
GD3630	36"	30"
GDCW2430	24"	30"

**36" High Glass Door**

Clear Glass

Product	W	H
GD1236	12"	36"
GD1536	15"	36"
GD1836	18"	36"
GD2436	24"	36"
GD3036	30"	36"
GD3636	36"	36"
GDCW2436	24"	36"
GDCW2736	27"	36"

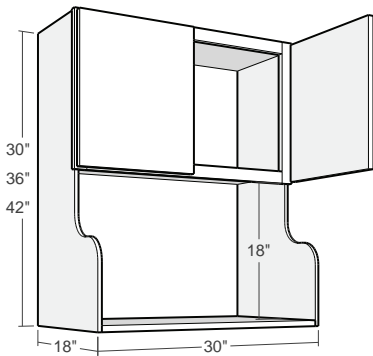
**42" High Glass Door**

Clear Glass

Product	W	H
GD1242	12"	42"
GD1542	15"	42"
GD1842	18"	42"
GD2442	24"	42"
GD3042	30"	42"
GD3642	36"	42"
GDCW2442	24"	42"
GDCW2742	27"	42"

**Notes:**

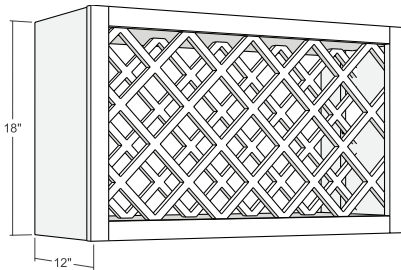
- Sizes listed are for the Cabinet size they fit.
- GD24, GD30, GD36 are sold as a set of two doors.



**Microwave Cabinet**

Two Doors

Product	W	D	H
MW3030	30"	12"	30"
MW3036	30"	12"	36"
MW3042	30"	12"	42"

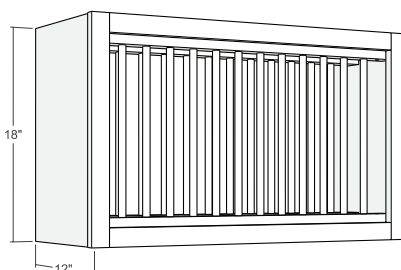


**Wine Rack**

Product	W	D	H
WR3018	30"	12"	18"

**Note:**

- Interior finish matches cabinet exterior.

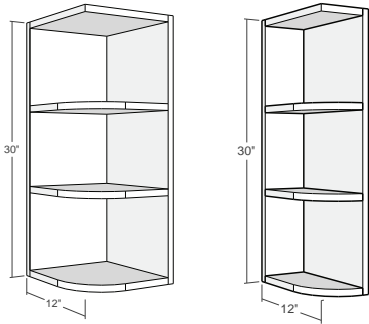


**Plate Rack**

Product	W	D	H
PR3018	30"	12"	18"

**Note:**

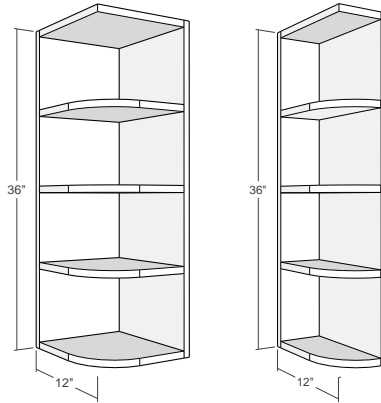
- Interior finish matches cabinet exterior.



**Wall End Open Cabinet**

Two Shelves

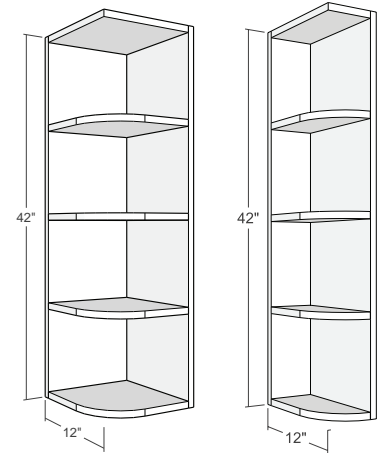
Product	W	D	H
WS630	6"	12"	30"
WS1230	12"	12"	30"



**Wall End Open Cabinet**

Three Shelves

Product	W	D	H
WS636	6"	12"	36"
WS1236	12"	12"	36"



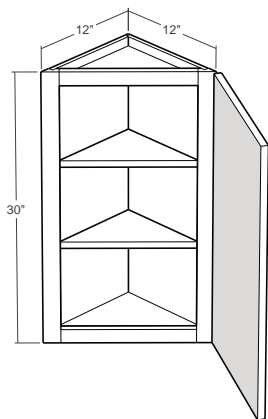
**Wall End Open Cabinet**

Three Shelves

Product	W	D	H
WS642	6"	12"	42"
WS1242	12"	12"	42"

**Notes:**

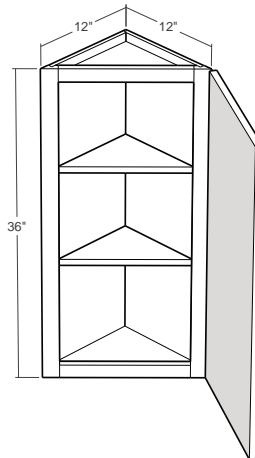
- Bottom can be modified to be a square shelf, see modifications page.
- Specify right or left opening, Left opening shown.



**Wall End Single Door Cabinet**

One Door • Two Adjustable Shelves

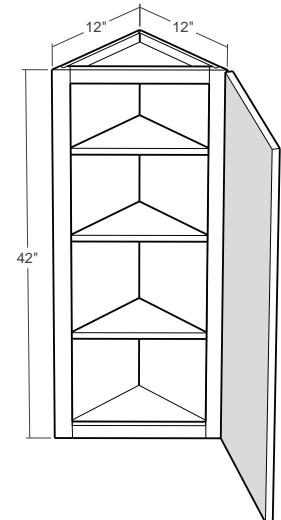
Product	W	D	H
WEC1230	12"	12"	30"



**Wall End Single Door Cabinet**

One Door • Two Adjustable Shelves

Product	W	D	H
WEC1236	12"	12"	36"



**Wall End Single Door Cabinet**

One Door • Three Adjustable Shelves

Product	W	D	H
WEC1242	12"	12"	42"

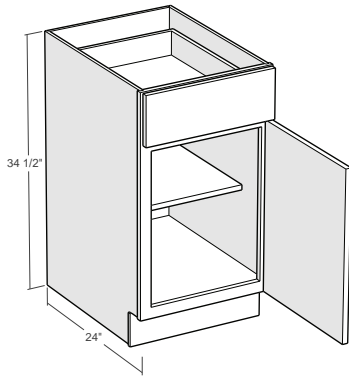
**Note:**

- Actual Door Width is 16 1/8"



Oxford Collection

**BASIC SERIES BASE**  
CABINET SPECIFICATIONS



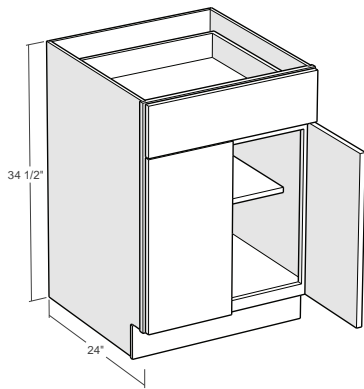
**Single Door Drawer Base Cabinet**

One Door • One Drawer  
One Adjustable Shelf

Product	W	D	H
B9	9"	24"	34 1/2"
B12	12"	24"	34 1/2"
B15	15"	24"	34 1/2"
B18	18"	24"	34 1/2"
B21	21"	24"	34 1/2"

**Accessories:**

- For Cutlery divider options see page 84.
- For Pull out shelf options see page 85.
- For Waste baskets see page 83.



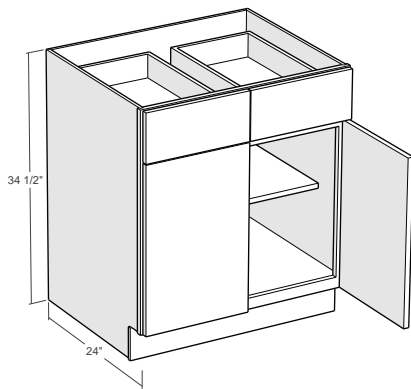
**Single Drawer & Double Door Base Cabinet**

Two Butt Doors • One Drawer  
One Adjustable Shelf

Product	W	D	H
B24	24"	24"	34 1/2"
B27	27"	24"	34 1/2"

**Accessories:**

- For Cutlery divider options see page 84.
- For Pull out shelf options see page 85.



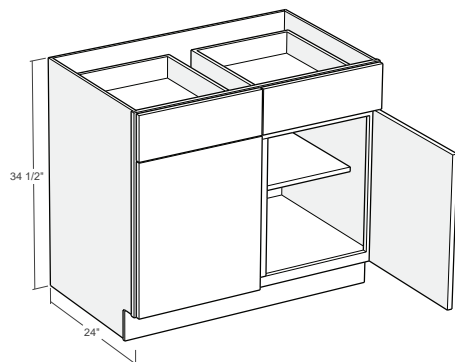
**Double Drawer & Door Base Cabinet**

Two Butt Doors • Two Drawers  
One Adjustable Shelf

Product	W	D	H
B30	30"	24"	34 1/2"
B33	33"	24"	34 1/2"
B36	36"	24"	34 1/2"

**Accessories:**

- For Cutlery divider options see page 84.
- For Pull out shelf options see page 85.



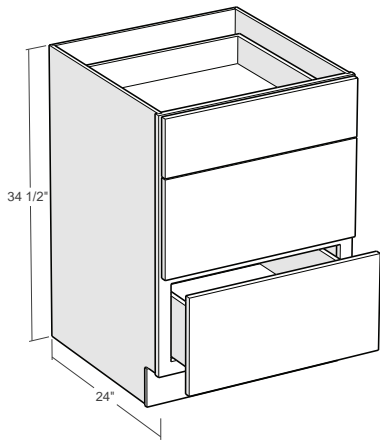
**Double Drawer & Door Base Cabinet**

Two Butt Doors • Two Drawers  
One Adjustable Shelf • Center Stile

Product	W	D	H
B39	39"	24"	34 1/2"
B42	42"	24"	34 1/2"

**Accessories:**

- For Cutlery divider options see page 84.



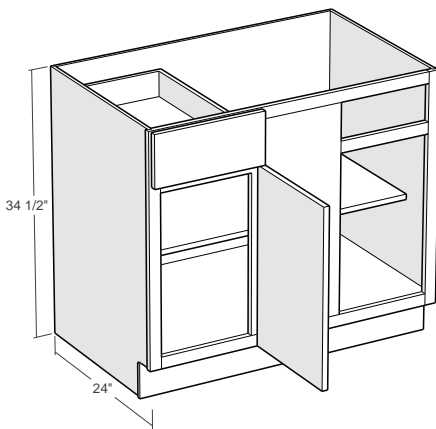
**Three Drawer Base Cabinet**

Three Drawers

Product	W	D	H
DB12	12"	24"	34 1/2"
DB15	15"	24"	34 1/2"
DB18	18"	24"	34 1/2"
DB24	24"	24"	34 1/2"
DB30	30"	24"	34 1/2"
DB36	36"	24"	34 1/2"

**Accessories:**

- For Cutlery divider options see page 84.



**Blind Base Cabinet**

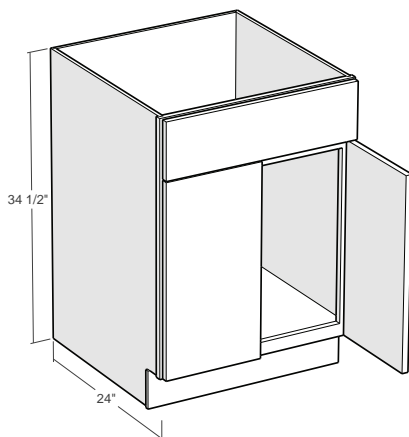
One Door • One Drawer  
One Adjustable Shelf

Product	W	D	H
BLB36/39	27"	24"	34 1/2"
BLB42/45	39"	24"	34 1/2"
BLB48/51	48"	24"	34 1/2"

**Note:**

- Filler is required, not included.
- Specify left or right blind, Blind right shown.

	Act	Min	Max	Door	Stile	Opening
BLB36/39	27"	38"	41"	10 1/2"	8"	8"
BLB42/45	39"	44"	47"	16 1/2"	8"	14"
BLB48/51	48"	48"	51"	21 1/4"	7 1/2"	18 3/4"



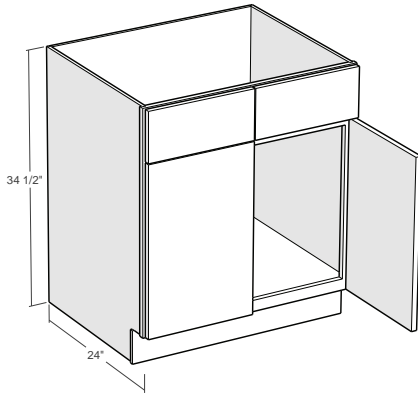
**Single Drawer Front Sink Base Cabinet**

Two Butt Doors • One Drawer Front

Product	W	D	H
SB24	24"	24"	34 1/2"
SB27	27"	24"	34 1/2"

**Accessories:**

- For Pull out shelf options see page 85.
- For Tilt out tray see page 84.



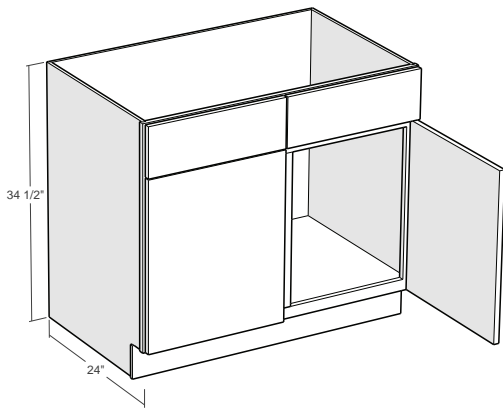
**Double Door & Drawer Front Sink Base Cabinet**

Two Butt Doors • Two Drawer Fronts

Product	W	D	H
SB30	30"	24"	34 1/2"
SB33	33"	24"	34 1/2"
SB36	36"	24"	34 1/2"

**Accessories:**

- For Pull out shelf options see page 85.
- For Tilt out tray see page 84.



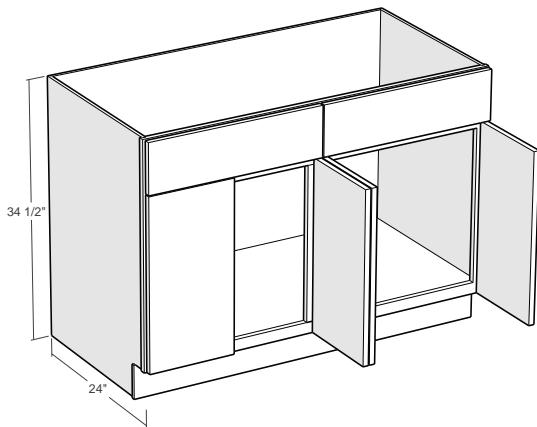
**Double Drawer Sink Front Base Cabinet**

Two Doors • Two Drawer Fronts  
Center Stile

Product	W	D	H
SB39	39"	24"	34 1/2"
SB42	42"	24"	34 1/2"

**Accessories:**

- For Tilt out tray see page 84.



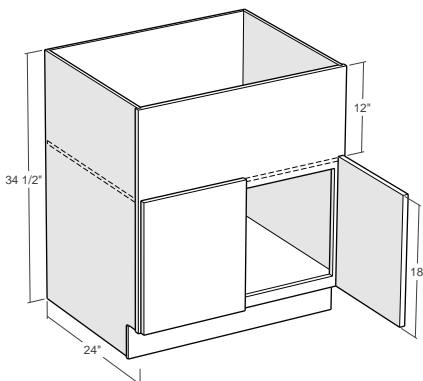
**Two Drawer Front & Four Door Sink Base Cabinet**

Two Double Doors • Two Drawer Fronts

Product	W	D	H
SB48	48"	24"	34 1/2"

**Accessories:**

- For Pull out shelf options see page 85.
- For Tilt out tray see page 84.



**Farm Sink Base Cabinet**

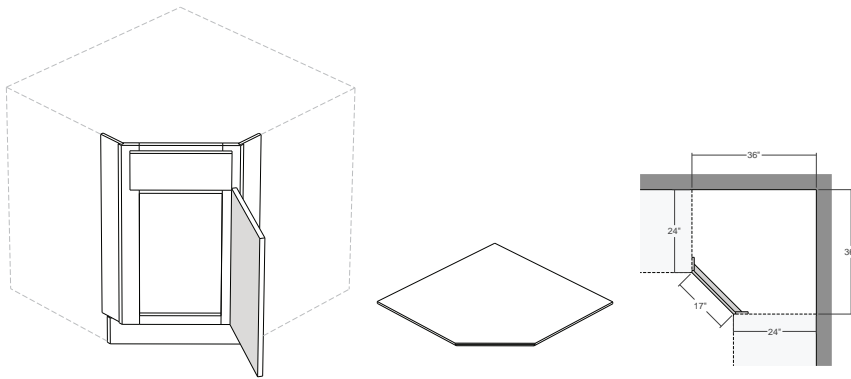
Two Butt Doors

Product	W	D	H
FS30	30"	24"	34 1/2"
FS33	33"	24"	34 1/2"
FS36	36"	24"	34 1/2"

**Note:**

- To be cut on site, has fixed shelf.
- Added support for the sink is necessary.





**Diagonal Corner Sink Front**

One Door • One Drawer Front

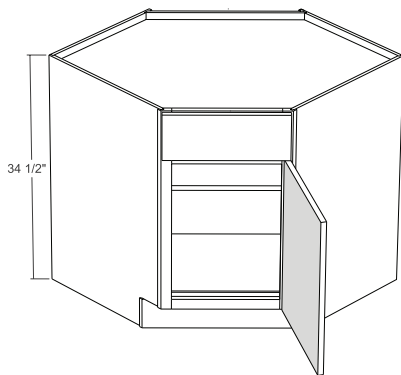
**Product**

CSF36 To fit space of 36"x36"

CSFFL36 Floor part only

**Note:**

- Actual Door Width is 14 1/2"
- CSF36 is the front part only without a cabinet, add item CSFFL36 to add a floor.
- Specify left or right hinge.



**Diagonal Corner Sink Base Cabinet**

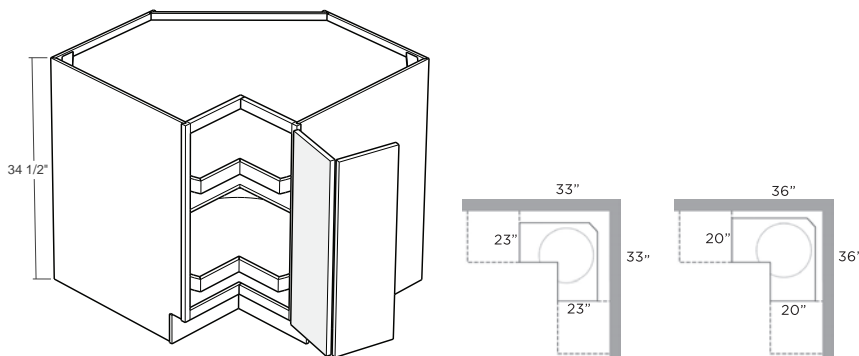
One Door • One Drawer Front • One Fixed Shelf

**Product**

CSB36 To fit space of 36"x36"

**Note:**

- Actual Door Width is 14 1/2"
- Specify left or right hinge.
- Has a full top, top be cut out on site.



**Corner Base Wood Lazy Susan Cabinet**

Bi-fold Doors • Two Fixed Lazy Susans

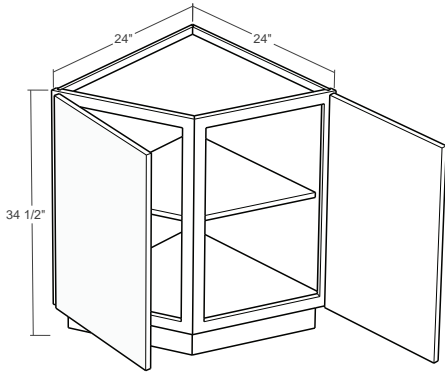
**Product**

BLS33 To fit space of 33"x33"

BLS36 To fit space of 36"x36"

**Note:**

- Actual Door Width on 33" is 7 3/4"
- Actual Door Width on 36" is 10 3/4"
- Specify left or right hinge.
- Has full top



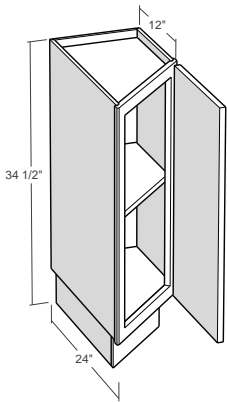
**Base End Cabinet**

Two Doors • One Adjustable Shelf

Product	W	D	H
BEC24	24"	24"	34 1/2"

**Note:**

- Actual Door Width is 18" each.



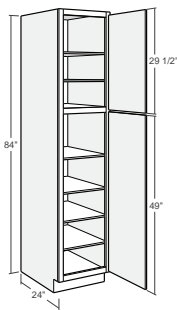
**Base Angle Cabinet**

One Door • One Adjustable Shelf

Product	W	D	H
BAC12FH	12"	24"	34 1/2"

**Note:**

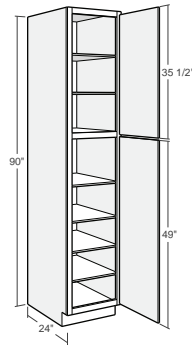
- Actual Door Width is 16 1/8"
- Specify opening left or right.
- Picture shown right.
- Recessed toe kick on the shorter end.



**84" Utility Cabinet**

One Top Door • One Lower Door  
Two Top Shelves • Four Bottom Shelves

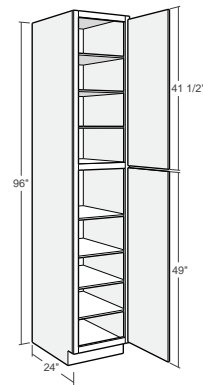
Product	W	D	H
UC1524X84	15"	24"	84"
UC1824X84	18"	24"	84"



**90" Utility Cabinet**

One Top Door • One Lower Door  
Two Top Shelves • Four Bottom Shelves

Product	W	D	H
UC1524X90	15"	24"	90"
UC1824X90	18"	24"	90"



**96" Utility Cabinet**

One Top Door • One Lower Door  
Three Top Shelves • Four Bottom Shelves

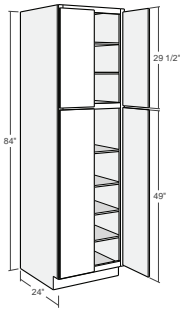
Product	W	D	H
UC1524X96	15"	24"	96"
UC1824X96	18"	24"	96"

**Notes:**

- Specify hinge left or right.
- Bottom door has center rail.

**Accessories:**

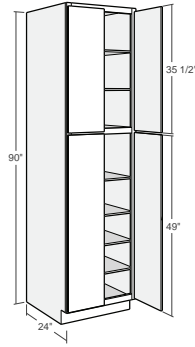
- For pull out shelves see page 85.



**84" Utility Cabinet**

2 Top Doors • 2 Lower Doors  
Two Top Shelves • Four Bottom Shelves

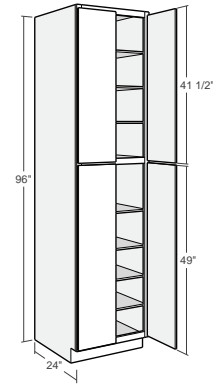
Product	W	D	H
UC2424X84	24"	24"	84"
UC3024X84	30"	24"	84"



**90" Utility Cabinet**

2 Top Doors • 2 Lower Doors  
Two Top Shelves • Four Bottom Shelves

Product	W	D	H
UC2424X90	24"	24"	90"
UC3024X90	30"	24"	90"



**96" Utility Cabinet**

2 Top Doors • 2 Lower Doors  
Three Top Shelves • Four Bottom Shelves

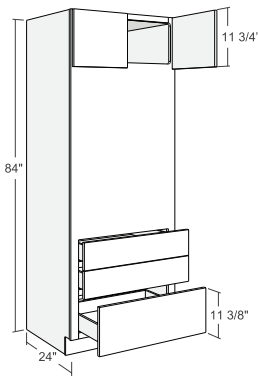
Product	W	D	H
UC2424X96	24"	24"	96"
UC3024X96	30"	24"	96"

**Notes:**

- Bottom door has center rail.

**Accessories:**

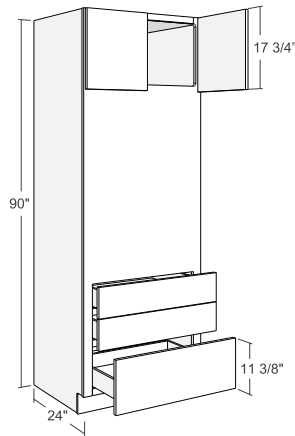
- For pull out shelves see page 85.



**Oven Cabinet**

Two Butt Doors • Three Drawers

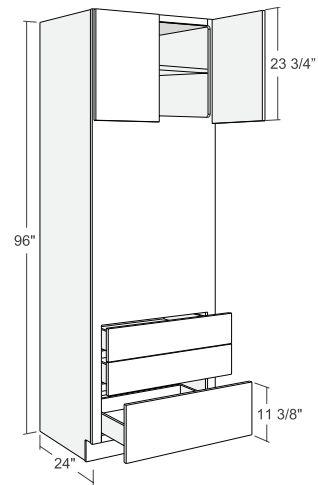
Product	W	D	H
OV3384	33"	24"	84"



**Oven Cabinet**

Two Butt Doors • Three Drawers

Product	W	D	H
OV3390	33"	24"	90"



**Oven Cabinet**

Two Butt Doors • Three Drawers

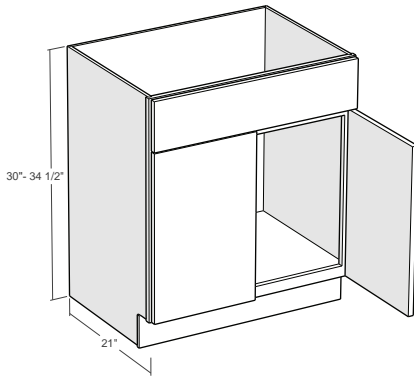
Product	W	D	H
OV3396	33"	24"	96"

**Notes:**

- Max cutout width 30".
- Max height for single oven 42 1/4".
- Max height for double oven 54" (with removal of top two drawers).
- Face Frame to be cut out on job site.
- For all in house custom cut-outs or modifications a cut-out form must be submitted, see wall cutout form page.
- OV3396 comes with one adjustable shelf on top.
- Fixed shelves above the top and bottom drawers but additional support is needed to hold oven.



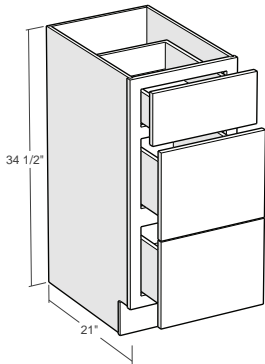
BASIC SERIES VANITY  
CABINET SPECIFICATIONS



**21" Deep Double Door Vanity Sink Base Cabinet**

Two Butt Doors • Single Drawer Front

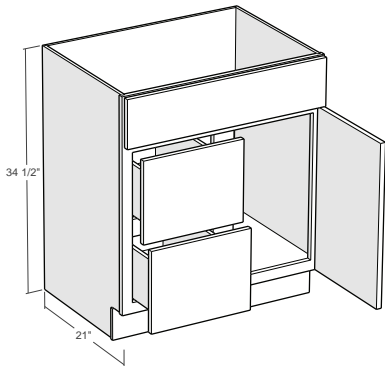
Product	W	D	H
V2421	24"	21"	34 1/2"
V3021	30"	21"	34 1/2"
V3621	36"	21"	34 1/2"
V2421-30	21"	21"	30"
V3021-30	30"	21"	30"
V3621-30	36"	21"	30"



**21" Deep Vanity Drawer Base Cabinet**

Three Drawers

Product	W	D	H
VDB1221	12"	21"	34 1/2"
VDB1521	15"	21"	34 1/2"



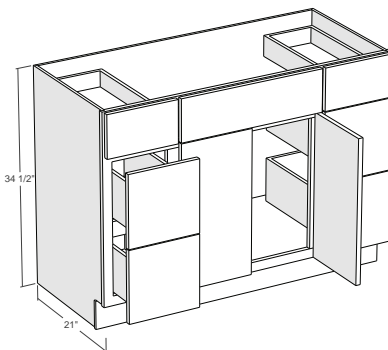
**21" Deep Vanity Sink Drawer Base Cabinet**

One Door • Two Drawers • Single Drawer Front

Product	W	D	H
V3021D	30"	21"	34 1/2"
V3621D	36"	21"	34 1/2"
V2421D-30	24"	21"	30"
V3021D-30	30"	21"	30"
V3621D-30	36"	21"	30"

**Note:**

- Must Specify right or left side drawers.



**21" Two Door Six Drawer Vanity Sink Base Cabinet**

Two Butt Doors • Six Drawers • One Middle Drawer Front

Product	W	D	H
V4821DD	48"	21"	34 1/2"

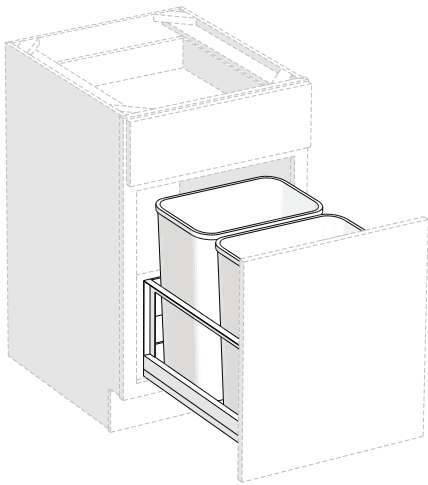




**CABINET**  
**ACCESSORIES, FILLERS & MOLDINGS**

We carry a full line of Rev-A-Shelf  
kitchen accessories.





**Waste Basket**

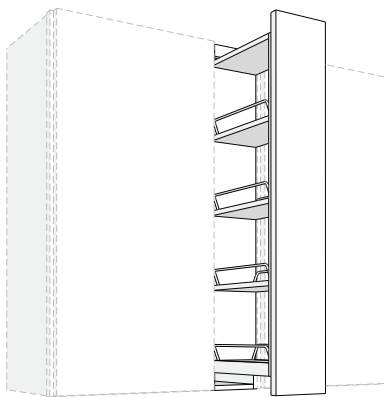
Full Extension ball bearing slides  
Cabinet not included.

**Product**

- BWBK15
- BWBK18
- BWBK21
- SC-BWBK15 (Soft-Close)
- SC-BWBK18 (Soft-Close)
- SC-BWBK21 (Soft-Close)

**Note:**

- Style may differ from image shown
- SC-BWBK21 fits only into a B21 with REMOVE-RAIL modification

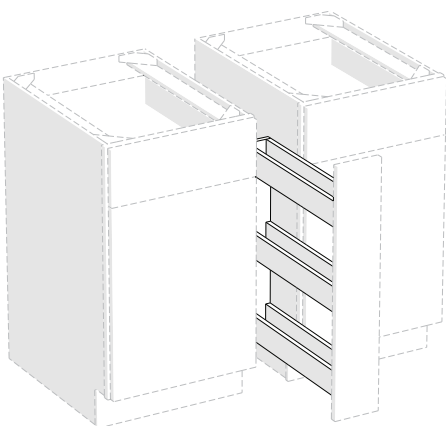


**Wall Pull Out Spice Cabinet**

Product	W	D	H
WSP330	3"	3"	30"
WSP336	3"	3"	36"
WSP342	3"	3"	42"
WSP630	6"	6"	30"
WSP636	6"	6"	36"
WSP642	6"	6"	42"

**Note:**

- Requires a filler, filler not included.
- Full Assembled, to be installed on site between two cabinets.
- Cabinet not included.
- Full Extension ball bearing slides.

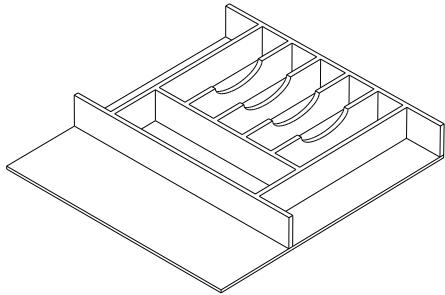


**Base Pull Out Spice Cabinet**

Product	W	D	H
BSPO-3	3"	24"	34 1/2"
BSPO-6	6"	24"	34 1/2"

**Note:**

- Requires a filler, not included.
- Full Assembled, to be installed on site between two cabinets.
- Cabinet not included.



**Trimmable Cutlery Divider**

Divider to fit to 15", 18" 21" or 24"

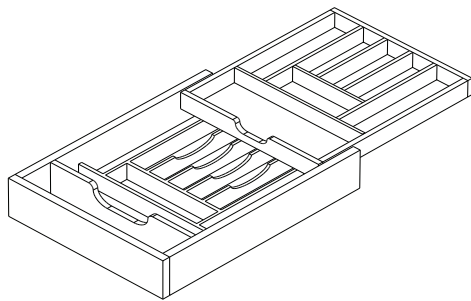
**Product**

TCD-15/18

TCD-21/24

**Note:**

- Installation included.



**Drawer Cutlery Divider**

Divider to fit to 15", 18" 21" or 24"

**Product**

DCD-15

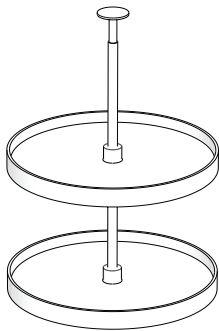
DCD-18

DCD-21

DCD-24

**Note:**

- Installation included.



**Wall Lazy Susan**

**Product**

PLASTIC-LS30

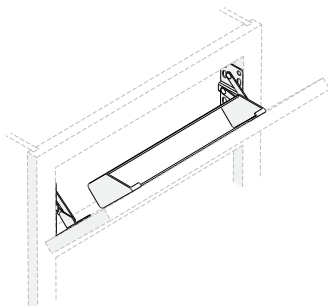
PLASTIC-LS36/42

WOOD-LS30

WOOD-LS36/42

**Note:**

- PLASTIC-LS36/42 & WOOD-LS36/42 have 3 shelves.



**Tilt Out Tray**

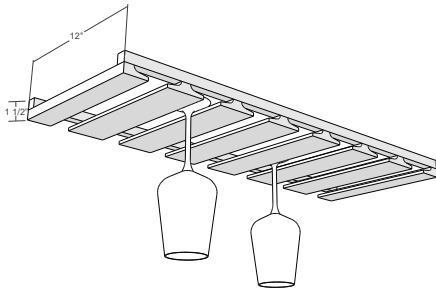
**Product**

TOT-15

TOT-18

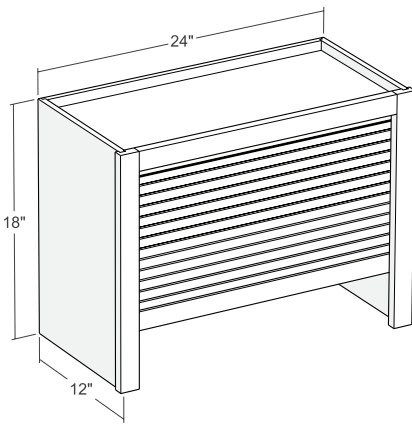
**Note:**

- Plastic tilt out
- Installation included.



**Stem Glass Rack**

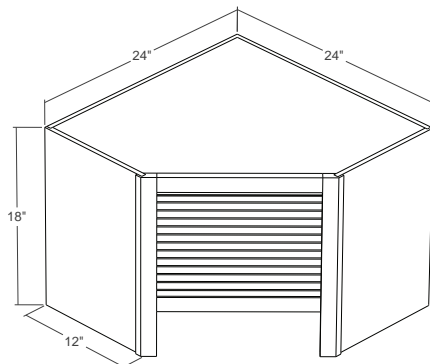
Product	W	D	H
SGR30	30"	12"	1 1/2"
SGR36	36"	12"	1 1/2"



**Appliance Garage**

One Roll Down Door

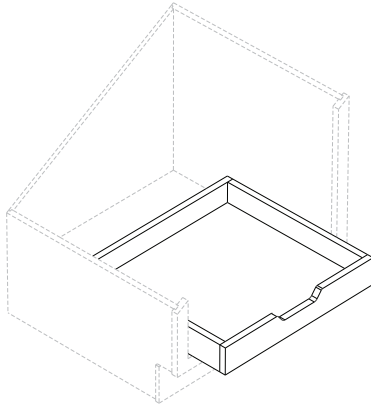
Product	W	D	H
AG2418	24"	12"	18"



**Corner Appliance Garage**

One Roll Down Door

Product	W	D	H
CAG2418	24"	24"	18"

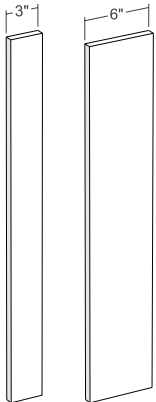


**Pull Out Shelf**

Product	W	D	H
POS12	12"	20"	3 3/8"
POS15	15"	20"	3 3/8"
POS18	18"	20"	3 3/8"
POS21	21"	20"	3 3/8"
POS24	24"	20"	3 3/8"
POS27	27"	20"	3 3/8"
POS30	30"	20"	3 3/8"
POS33	33"	20"	3 3/8"
POS36	36"	20"	3 3/8"

**Note:**

- Width sizes shown above are the cabinet overall width
- Installation not included.
- Soft Close available as an upgrade.

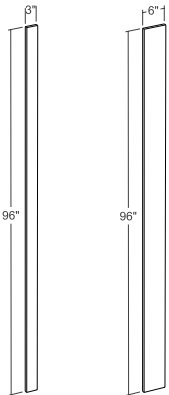


**Wall Filler**

Product	W	D	H
WF330	3"	3/4"	30"
WF336	3"	3/4"	36"
WF342	3"	3/4"	42"
WF630	6"	3/4"	30"
WF636	6"	3/4"	36"
WF642	6"	3/4"	42"

**Note:**

- Finished on all sides.

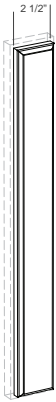


**Tall Filler**

Product	W	D	H
TF396	3"	3/4"	96"
TF696	6"	3/4"	96"
TF1.5X96	1 1/2"	3/4"	96"

**Note:**

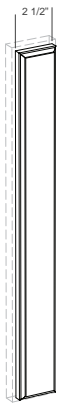
- TF1.5X96 has groove to work with REP396
- Finished on all sides.



**Overlay Wall & Base Fillers**

Product	W	D	H
OWF330	2 1/2"	3/4"	29 1/2"
OWF336	2 1/2"	3/4"	35 1/2"
OWF342	2 1/2"	3/4"	41 1/2"

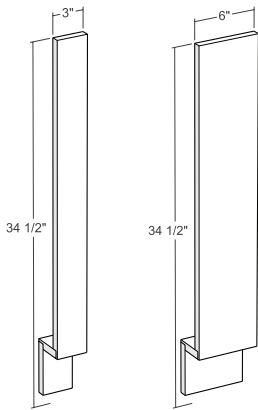
**Note:**  
• Matches door edge profile.



**Overlay Tall Filler**

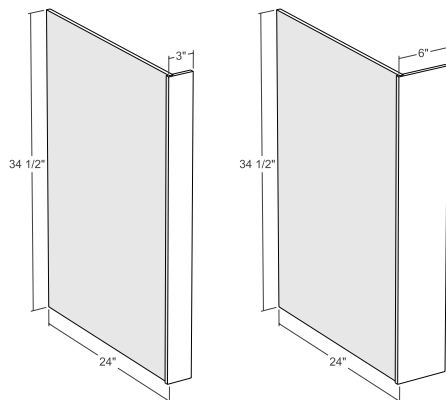
Product	W	D	H
OTF384	2 1/2"	3/4"	79"
OTF390	2 1/2"	3/4"	85"
OTF396	2 1/2"	3/4"	91"

**Note:**  
• Matches door edge profile.



**Base Filler**

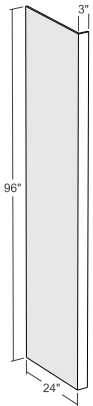
Product	W	H
BF3	3"	34 1/2"
BF6	6"	34 1/2"



**Dishwasher Return**

Product	W	D	H
DWR3	3"	24"	34 1/2"
DWR6	6"	24"	34 1/2"

**Note:**  
• Ships Unassembled.

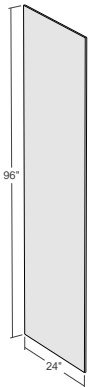


**Refrigerator End Panel**

Product	W	D	H
REP396	3"	24"	96"

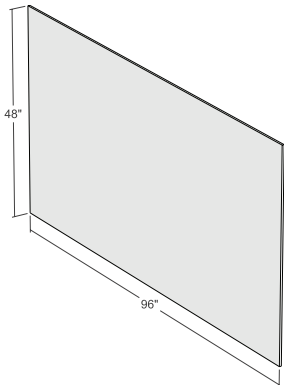
**Note:**

- Also available a 1 1/2" loose filler with groove Item# TF1.5X96
- Only available in Latte.



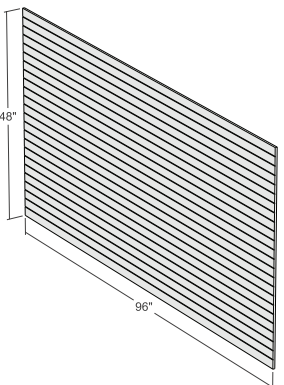
**Universal Refrigerator End Panel**

Product	W	D	H
UREP24X96	24"	3/4"	96"



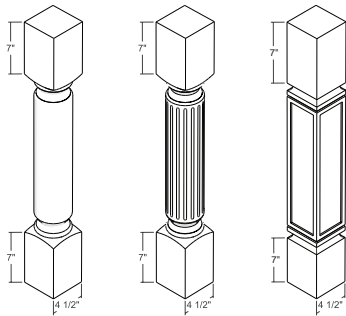
**Plywood Panel**

Product	W	D	H
PLY1/4	48"	1/4"	96"
PLY1/2	48"	1/2"	96"
PLY3/4	48"	3/4"	96"



**Beaded Plywood Panel**

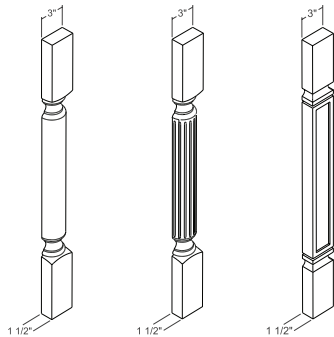
Product	W	D	H
PLYB4X8	48"	1/4"	96"



Plain Fluted Shaker

**Post**

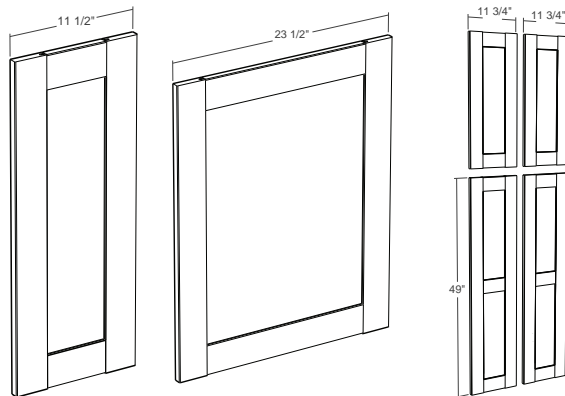
Product	W	D	H
POST-P36	4 1/2"	4 1/2"	35 1/4"
POST-F36	4 1/2"	4 1/2"	35 1/4"
POST-S36	4 1/2"	4 1/2"	35 1/4"



Plain Fluted Shaker

**Spindle**

Product	W	D	H
SPINBASE-P	3"	1 1/2"	34 1/2"
SPIN-P-30	3"	1 1/2"	30"
SPIN-P-36	3"	1 1/2"	36"
SPIN-P-42	3"	1 1/2"	42"
SPINBASE-F	3"	1 1/2"	34 1/2"
SPIN-F-30	3"	1 1/2"	30"
SPIN-F-36	3"	1 1/2"	36"
SPIN-F-42	3"	1 1/2"	42"
SPINBASE-S	3"	1 1/2"	34 1/2"
SPIN-S-30	3"	1 1/2"	30"
SPIN-S-36	3"	1 1/2"	36"
SPIN-S-42	3"	1 1/2"	42"

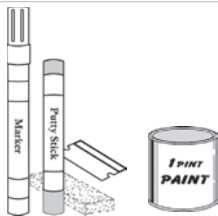


**Wall and Base Decorative Panel**

Product	W	D	H
WDE1230	11 1/2"	3/4"	29 1/2"
WDE1236	11 1/2"	3/4"	35 1/2"
WDE1242	11 1/2"	3/4"	41 1/2"
BDE24	23 1/2"	3/4"	29 1/2"
TDE84	11 3/4" (2X)	3/4"	Top: 29 1/2" Bottom: 49"
TDE90	11 3/4" (2X)	3/4"	Top: 35 1/2" Bottom: 49"
TDE96	11 3/4" (2X)	3/4"	Top: 41 1/2" Bottom: 49"

**Note:**

- TDE matches doors of UC24

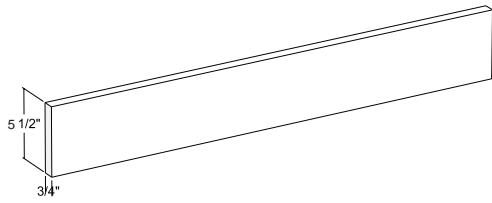


TUK Pint

**Touch Up Kit**

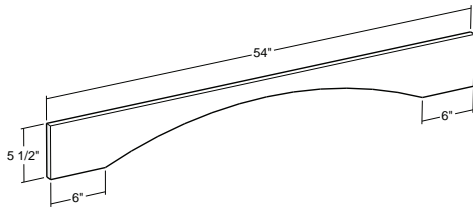
Product
TUK
PINT





**Valance**

Product	W	D	H
VAL-S	96"	3/4"	5 1/2"

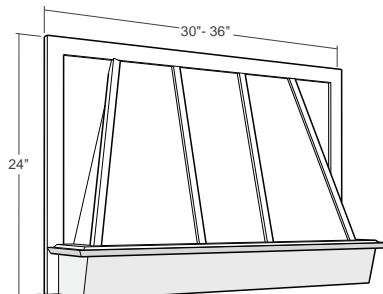


**Valance**

Product	W	D	H
VAL-A	54"	3/4"	5 1/2"

**Note:**

- Can be cut up to 3" each side

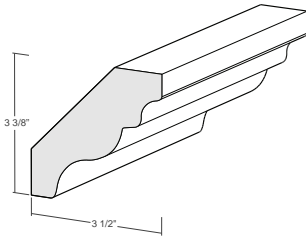


**Traditional Hood**

Product	W	D	H
THOOD30	30"	7 1/4"	24"
THOOD36	36"	7 1/4"	24"

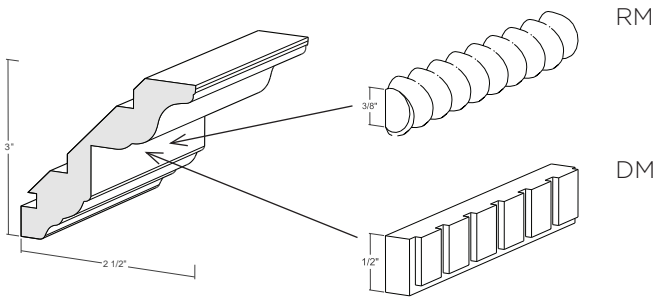
**Note:**

- Front part only
- To be installed with cabinets side by side



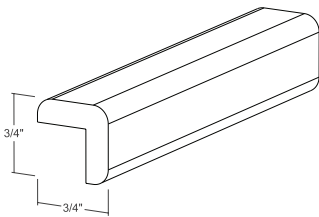
**Crown**

Product	W	D	H
CRM2	96"	3 1/2"	3 3/8"



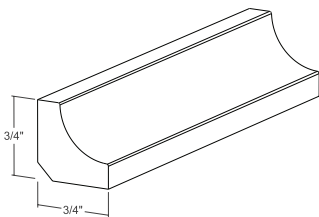
**Royal Crown**

Product	W	D	H
RCRM2	96"	2 1/2"	3"
RM	96"	1/2"	3/8"
DM	96"	1/2"	1/2"



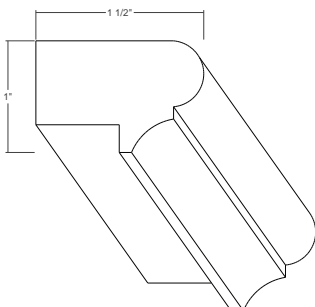
**Outside Corner**

Product	W	D	H
OCM	96"	3/4"	3/4"



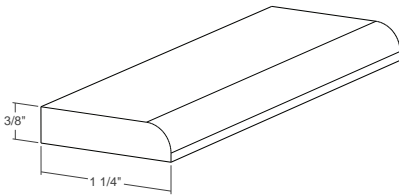
**Inside Corner**

Product	W	D	H
ICM2	96"	3/4"	3/4"



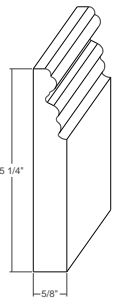
**Lightrail Molding**

Product	D	H	W
LTR2	1 1/2"	1"	96"



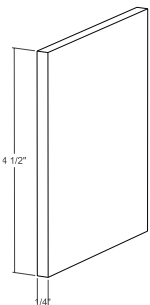
**Scribe**

Product	W	D	H
SCM2	96"	1 1/4"	3/8"



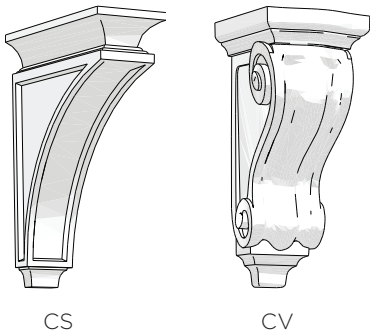
**Base Molding**

Product	W	D	H
BM2	5"	5/8"	96"



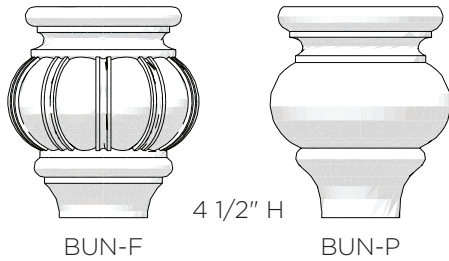
**Toe Kick**

Product	W	D	H
TKS	96"	1/4"	4 1/2"



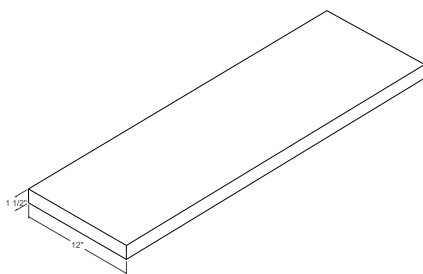
**Corbel Plain**

Product	W	D	H
CS7	2"	5 3/8"	7"
CS10	3"	7 1/2"	10"
CV7	3"	2 3/8"	7"
CV10	4 3/8"	3 1/2"	10"



**Bun Feet**

Product
BUN-F
BUN-P



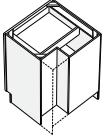
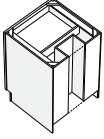
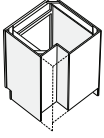
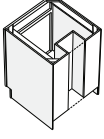
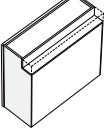
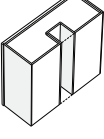


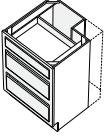
**Floating Shelf**

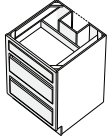
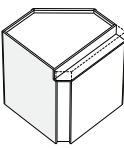
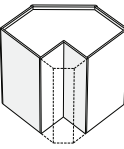
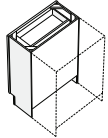
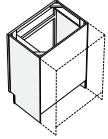
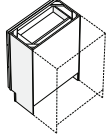
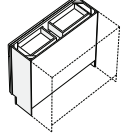
Product	W	D	H
FLOATING SHELF-30	30"	12"	1 1/2"
FLOATING SHELF-60	60"	12"	1 1/2"
FLOATING SHELF-96	96"	12"	1 1/2"

**Note:**


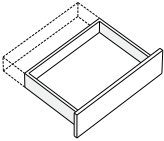

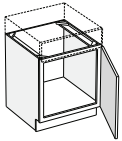

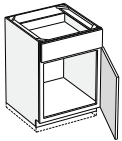
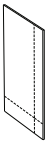
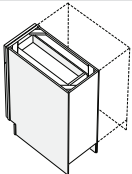
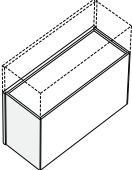
- Does not come with brackets, see modification pages for cut to size.
- Solid Wood



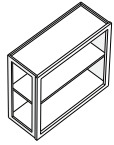
CHASE			IMPERIAL	PRESTIGE	BASIC
	BASE-CHASE	Base Cabinet Cut Chase* option 1	•	•	•
	BASE-CHASE	Base Cabinet Cut Chase* option 2	•	•	•
	SBASE-CHASE	Sink Base Cabinet Cut Chase* option 1	•	•	•
	SBASE-CHASE	Sink Base Cabinet Cut Chase* option 2	•	•	•
	WALL-CHASE	Wall Cabinet Cut Chase* option 1	•	•	•
	WALL-CHASE	Wall Cabinet Cut Chase* option 2	•	•	•
	TALL-CHASE	Tall Cabinet Cut Case* option 1	•	•	•
	TALL-CHASE	Tall Cabinet Cut Case* option 2	•	•	•
	DBASE-CHASE	Drawer Base Cabinet Cut Chase option 1	•	•	•

	DBASE-CHASE	Drawer Base Cabinet Cut Chase option 2	•	•	•
	CORNER-CHASE	Corner Cabinet Cut Chase option 1	•	•	•
	CORNER-CHASE	Corner Cabinet Cut Chase option 2	•	•	•
<b>CUT</b>			<b>IMPERIAL</b>	<b>PRESTIGE</b>	<b>BASIC</b>
	WALL-CUT	Wall Cabinet Cut Depth	•	•	•
	BASE CUT	Base Cabinet Cut Depth	•	•	•
	SBASE-CUT	Sink Base Cabinet Cut Depth	•	•	•
	DBASE-CUT	Drawer Base Cabinet Cut Depth	•	•	•
	DDBASE-CUT	Double Drawer Base Cabinet Cut Depth	•	•	•



CUT			IMPERIAL	PRESTIGE	BASIC
	TALL-CUT	Tall Cabinet Cut Depth	•	•	•
	DRAWER-CUT	Pull Out Drawer Cut Depth (Per Drawer)	•	•	•
	DOOR-CUT	Door Cut Out Center Panel For Glass (Per Door)	•	•	•
	BASE-CUT-HEIGHT	Cut Off Top Drawer Of Base Cabinet (Overall Height 28")	•	•	•
	CUT-CLM	Cut Column Depth	•	•	•
	CUT-TK	Cut Height Of Base Toe Kick	•	•	•
	CUT-PAN	Cut Panel To Size	•	•	•
	CUT-WIDTH	Cut Width Of Cabinet	•	•	•
	CUT-HEIGHT-WALL	Cut Height Of Wall Cabinet	•	•	•

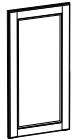
# MODIFICATIONS



CUTOUT-SIDE      Cut Out Side Of Cabinet

•                      •                      •

CUSTOM			IMPERIAL	PRESTIGE	BASIC
--------	--	--	----------	----------	-------



CUSTOM DOOR      Custom Door

•                      •                      •

CUSTOM CABINET BOX      Custom Cabinet Box

•                      •                      •



CUSTOM COLOR      Custom Color

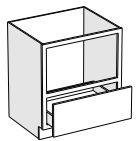
•                      •                      •



INSTALL ACCESSORIES      Install Non Stock Accessories

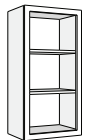
•                      •                      •

MODIFICATIONS			IMPERIAL	PRESTIGE	BASIC
---------------	--	--	----------	----------	-------



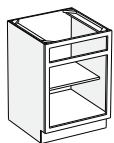
BASE-MW-CAB      Create Microwave Base Cabinet from DB Cabinet (Cabinet not included)

•



FLUSH-SIDE-WALL      Flush Side Of Wall Cabinets (Skin Included)

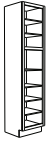
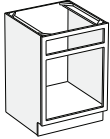
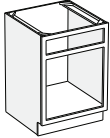
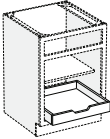
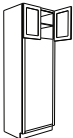
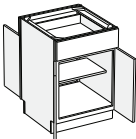

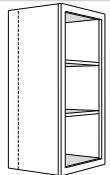
•                      •                      •



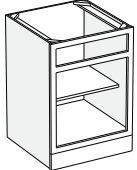

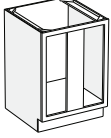
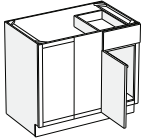

FLUSH-SIDE-BASE      Flush Side Of Base Cabinet (Skin Included)

•                      •                      •

# MODIFICATIONS

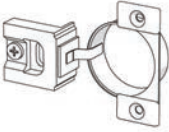
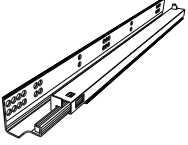
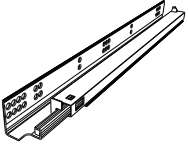
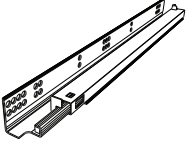
	FLUSH-SIDE-TALL	Flush Side Of Tall Cabinet (Skin Included)	•	•	•
	REMOVE DRAWER	Remove Drawer Box To Create As A Sink Base	•	•	•
	WALL-TK	Add Toe Kick To Wall Cabinet	•	•	•
	INSTALL-POS	Install Pull Out Drawer In Cabinet (Per Drawer)	•	•	•
	FIN-INTERIOR	Finish Interior Of Cabinet (Shelf Included)	•	•	•
	OV-MOD	Modify Ov Cabinet To Fit Double Oven	•	•	•
	PENIN-CAB	Create Peninsula Cabinet From 2 Cabinets (Cabinets Not Included)	•	•	•
	RECESS-TK	Recess Toe Kick Base Of Cabinet	•	•	•
	WINCREASE	Increase Depth Of Wall Cabinet	•	•	•

# MODIFICATIONS

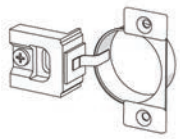
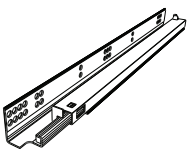
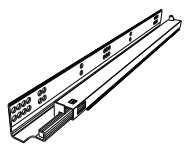
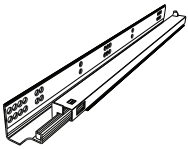
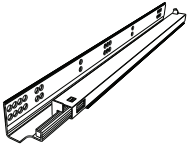

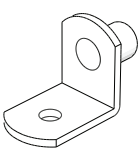
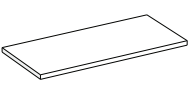
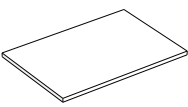
	FLUSH-TOE	Flush Toe Kick Of Base Cabinet To Frame - Sides Not Included	•	•	•
	WS-SQUARE-SHELF	Create Square Bottom Shelf For Knick Knacks	•	•	•
	CREATE-BLIND	Create Blind Cabinet From Base Cabinet (Cabinet Not Included)	•	•	•
	CLOSE-BLIND	Close Opening Of Blind Cabinet	•	•	•
	CUSTOM RETURN	Add Custom Return To Filler	•	•	•

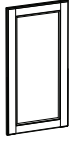
# PARTS

IMPERIAL    PRESTIGE    BASIC

	U-BLUM HINGE	Blum Hinge	•	•	•
	U-BLUM SLIDE 15	15" Blum Track	•	•	•
	U-BLUM SLIDE 18	18" Blum Track	•	•	•
	U-BLUM SLIDE 21	21" Blum Track	•	•	•

# MODIFICATIONS

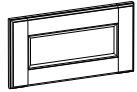
	U-HINGE	6-Way Adjustable Soft-Close Hinge	•	•	•
	U-TRACK 12	12" Under Mount Soft-Close Track	•	•	•
	U-TRACK 15	15" Under Mount Soft-Close Track	•	•	•
	U-TRACK 18	18" Under Mount Soft-Close Track	•	•	•
	U-TRACK 21	21" Under Mount Soft-Close Track	•	•	•
	U-SIDEMOUNT TRACK	Side Mount Track	•	•	•
	U-SHELF PIN	Shelf Pins (8 Pieces)	•	•	•
	U-SHELF-WALL	Loose 12" Deep Shelf (Specify Cabinet Size)	•	•	•
	U-SHELF-BASE	Loose 24" Deep Shelf (Specify Cabinet Size)	•	•	•
	CABINET BOX	Cabinet Box With No Door	•	•	•



CABINET DOOR

Cabinet Door With No Box

- 
- 
- 



DRAWER FRONT

Cabinet Drawer Front Only

- 
- 
-





**PLACING YOUR ORDER**

To ensure the purchase process goes smoothly, all orders MUST be faxed to 201-464-2200 or emailed to: orders@cubitac.com using one of the following order forms:

- Cubitac Cabinetry Order Form
- 2020 Design Order Form
- Pro Kitchen Order Form

While you may have a beautiful sketch or a professional design layout, we cannot accept them as orders. Similarly, we cannot process or accept orders via phone. As cabinetry design and building is primarily visual, we have found that these forms are best for ensuring consistency in concept, design and delivery of your cabinetry, and for preventing miscommunication. Please make sure that all information on the order form is accurate and complete. In particular, please specify your Shipping Method, Order Type, and Contact Information (email, fax number).

**PROCESSING YOUR ORDER**

Upon receipt of your Order Form via fax or email, all information will be uploaded into our system by a Cubitac Customer Service Representative, and a Confirmation Document will be sent to you via email and/or fax, based on the preferred method of communication specified in the Order Form submitted by you.

When you receive the acknowledgment, please take a moment to proofread all the information for accuracy. If any discrepancies are found, please make the appropriate adjustments and return to the Cubitac Customer Service Representative. If all information is accurate, please sign, date, and return to the Cubitac Customer Service Representative via fax or email.

By signing the Confirmation Document, you take full responsibility for all errors on the Order Form. Cubitac Cabinetry is not responsible for any typos or mistakes made on the Signed Confirmation Document. Orders will not be processed without your signature, as work cannot progress without your consent.

Upon receipt of the signed and dated Confirmation Documents, construction of your cabinets will begin. As such, prices cannot be adjusted and changes to the order can no longer be accepted.

For C.O.D. customers, your Customer Service representative will call to arrange and confirm the delivery a day in advance, as well as to ensure proper preparation of payment. All discounts and pricing issues must be discussed and agreed upon before delivery.

Cubitac cannot guarantee a specific time of delivery however, we can provide you with an estimated delivery time through our Dispatch Track System, via automated email, text or phone call. Customers can also call the dispatcher directly for the delivery status (??-??-??) When inquiring about an order please use the Cubitac sales order number or your P.O. number.

**EXPEDITED SERVICE**

If you need an order faster than our published lead-times, we can expedite your order based on style and availability for an additional 25% surcharge.

**SPECIAL AND BULK ORDERS**

A 50% deposit is required for special/non-stock and bulk orders. To ensure consistency and integrity within your custom or stock orders, please contact your Cubitac Sales Representative for more details at 201-464-2000. Please ask your customer service rep about it.

**DESIGN & PRICING SOFTWARE**

Our catalog is compatible with the 2020 Design & Pro Kitchens Software, the industry's leading software for designing kitchens, bathrooms, closets, and other interior rooms. To receive a link to our catalog, please contact your Cubitac Sales Representative at 201-464-2000.

Since a third-party firm generates the 2020 Design & Pro Kitchens Software catalogs, Cubitac assumes no responsibility for any discrepancies that may occur between the 2020 Design Software and actual sales orders. Cubitac reserves the right to change or alter the specs or price of a cabinet; change notifications will be delivered via email.

**SHIPPING**

To ensure the integrity of the product upon arrival to the delivery site, Cubitac has a fleet of trucks that delivers throughout the tri-state area for a fee. All prices are Freight on Board Ridgefield, NJ.

All Cubitac deliveries are defined as **TRUCK TAILGATE** delivery to the location specified in the Order Form. It does not include curbside or inside delivery or any additional services. In some instances where the shipment is too heavy for the driver, it may be necessary for you to assist the driver to get your cabinetry order removed from the tailgate of the delivery truck. If you are not willing or able to accept TRUCK TAILGATE delivery by yourself, please make arrangements to have someone present who is physically able to help you.

For deliveries outside the tri-state area, we continue to negotiate the best possible rates thanks to the high volume of freight we purchase. We ship via Common Carrier at the best available pallet rates to ensure your shipping costs are kept at a minimum.

Freight rates are automatically generated based on the weight of the shipment, destination zip code, pallet size and the best carrier for that region. Due to the constant fluctuation in fuel prices and shipping costs, quotes are subject to modification at our discretion. A quote generated shipping price is an estimate only and does not represent a contractual commitment. Cubitac reserves the right to change shipping costs when the actual weight and pallet amount is acknowledged by the carrier. And may be higher or lower than the quoted shipping charge originally quoted on the approved order. Any delay in delivery, however caused, will not make Cubitac Cabinetry liable for any loss, costs, penalty, or damage which might result from the delay.

If a customer sends their own carrier to pick up cabinets, Cubitac will not be responsible for filing damage claims. Orders cannot be picked up on the day of completion.

Please make sure the delivery address is correct for your order. Cubitac is not responsible for any address errors made by the buyer. If you realize an error with the shipping address, please contact Cubitac IMMEDIATELY at 201-464-2000. If we can correct the mistake before your shipment leaves our facility, you will not incur any additional charges. In the event the truck arrives, and you can't take delivery ("no show"), you will be charged again for the subsequent delivery.

Cubitac offers delivery service with our own fleet of trucks that will deliver within the local area of our flagship facilities in New Jersey for a minimum charge. COD customers must hand payment to the driver before unloading (in case of back orders or damages, an authorization should be obtained from Customer Service for the deduction). Refused orders will be charged a redelivery fee.

Due to the weight and size of some of the boxes, shipping via UPS or FedEx is not an option.

**STORAGE FEES:**

1. After 30 days, if all ordered cabinets are ready for delivery/pickup, the customer will be charged a weekly storage fee applied to the order per pallet.
2. After 60 days, if all ordered cabinets are ready for delivery/pickup, and still in storage, the customer will be required to pay for the order in full, along with the accrued storage fees.
3. After 90 days, if all ordered cabinets are ready for delivery/pickup, and still in storage, the order will be returned to stock. The customer will be required to pay a 35% Restocking fee, along with the accrued storage fees, (Excluding Custom orders)

### RETURNS / EXCHANGES / CANCELLATIONS

While we strive to ensure that you are delighted with your order, we understand that sometimes the pieces don't always come together exactly as you envisioned. (Cabinets with accessories and or modifications can't be returned)

However, once your order is processed and approved, a 25% restocking fee for regular-sized cabinets and 35% restocking fee for oversized cabinets will be charged to you, as Cubitac has already taken measures to begin construction of your cabinets. These percentages are based on the total price of the cabinetry prior to any discounts on the order. Once a cabinet has left our warehouse, Cubitac will not accept any returns unless they are due to manufacturer's defect.

As design and measurement differ for each order based on personal preference, we cannot accept the return of non-stock, customized cabinets, wood hoods or after the installation of hardware. In the event of any faults or defects in materials supplied, the liability is limited to the replacement of the defective material only. For a comprehensive list of non-returnable products, please contact Cubitac at 201-464-2000 or email us at [orders@cubitac.com](mailto:orders@cubitac.com).

#### ***If you need to return, exchange, or cancel an order, here are a few things to keep in mind:***

- When requesting a return or exchange, please complete a Return Merchandise Authorization Form. Unidentified packages may be misplaced or routed to the wrong department, which may hinder us from processing your exchange or refund. Fax your completed RMA Form to 201-464-2200 or email it to [orders@cubitac.com](mailto:orders@cubitac.com).
- Be sure to state the reason for your return or exchange on the RMA Form.
- Upon receipt of the RMA Form, Cubitac will send you an RMA Confirmation Number. **(Please note that Cubitac cannot accept returns without an RMA Confirmation Number.)**
- Once the return has been authorized, the merchandise must be returned to Cubitac within 7 days regardless of purchase or receipt date, in new condition with all original packaging. **(A Customer Service Representative will schedule a pickup of the approved damaged items)**
- Credits will be issued once merchandise is received by Cubitac and inspected in our warehouse.
- Shipping/Delivery charges will not be credited for any returns.
- Please request an RMA, which should be given to the driver (merchandise without an RMA will not be picked up). **Cabinets must be returned in the same condition it was when it was received, and in the original packaging.**
- We will not credit any installed cabinets. If cabinets are returned against these rules, the customer will have a 7-day period to pick them up, after this time they will be discarded. Once merchandise is received and inspected at our warehouse, a credit (less the restocking charge) will be issued to your account for the returned merchandise.
- Please allow Cubitac 7-14 business days to process your credit. **Cubitac will not accept returns after 30 days.**

### DAMAGES

In the rare event you discover damages or defects after unpacking, please contact Cubitac to file a Return Merchandise Authorization Form (RMA) within 48 hours of receipt of the product. Phone: 201-464-2000 Email: [orders@cubitac.com](mailto:orders@cubitac.com).

Do not install damaged or defective product. Assembly or modification of the cabinetry may void claims for damage. Upon notification, your Cubitac Customer Service Representative will issue an authorization number for pickup or return. Please note that all damage claims will require a photograph of the damaged product if a replacement is needed. If you do not have photographs of the damages, we will send the replacement/s for the full price and credit will be applied once we receive the pictures. Please allow 7-14 days for your credit to be applied to your account. Cubitac will not credit damaged cabinets after 15 days after delivery. Shipping/Delivery charges will not be credited for any exchanges.

It should be noted; if the photos of the damage are not specific enough, or deemed normal excepted imperfections, a Cubitac representative may request to see the cabinets in person.

As soon as an authorization number is issued, a replacement of the damaged product will be processed and sent to you. Unfortunately, we are unable to cancel an order due to damage. Please present the RMA authorization which should be given to the driver (merchandise without an RMA will not be picked up or allowed to be dropped off at our warehouse).

**QUALITY STANDARDS**

This warranty covers all damages and unnatural defects that are deemed as such under the current Cubitac's Quality Standards. Cubitac reserves the right to modify or change their Quality Standards at any time.

**DISCLAIMERS**

The following is a brief recap of some of the characteristics of the wood and finishes on the cabinets you are about to purchase. Please read them carefully. If some of these characteristics concern you, please choose something else. We bring these characteristics to your attention so you will realize that Cubitac will not be held responsible for these variations in your cabinetry. It is important to note that wood products claimed as defective are most often the result of atmospheric conditions such as excess moisture and humidity. Cubitac strongly recommends testing the intended location of the products for such conditions prior to installation. Any imagery represented by Cubitac in this Specification Book are simply a representation and not intended to represent precise measurement and color. Images used in this Inspiration guide are either stock, renderings or client images.

**WOOD AND COLOR VARIATIONS:**

Wood is a product of nature, and since no two trees are alike, cabinets may vary in color, texture, and grain. Wood characteristics naturally occurring such as variations in color, grain, mineral streaks, pinholes, and knots are not considered defects. Color variations in cabinets are also a natural occurrence due to species, age, character of cabinets, and exposure to UV light and sunlight. For these reasons, new and/or replacement cabinets may not match display samples and/or existing cabinets. This may result in overall color variations but is not considered a defect.

**WOOD DOORS:**

Wood by nature will undergo expansion and contraction movements year after year as it compensates and adjusts to ever changing atmospheric humidity and temperature conditions. It is very common for center panels on doors to shrink, expand or move during these transitions. Typically, the panel will return to its normal position within a year once it has adjusted to seasonal changes. It is for these same reasons that it is very common for doors to warp during these periods. Doors that are warped up to 1/4" are not considered defective. Note: It is advisable to check if the door was properly installed, since doors that appear warped are very often the result of improper installation.

**PAINTED FINISHES:**

Birch is a non-porous, smooth grained wood. Additionally, wood by nature undergoes periods of expansion and contraction while it adjusts to atmospheric conditions mentioned above. As such, finish stress lines may become visible on painted cabinets especially at the joints. Any such occurrence is not considered a defect.

**GLAZED FINISHES:**

A glazed finish by character is an uneven finish. Some edges and profiles will have heavier hang up than others and glazing may vary cabinet to cabinet, door to drawer and item to item. This may result in overall color variations but is not considered a defect.

***Please Note:***

All Cubitac products are sold without installation. The responsibility of touch-up falls upon the buyer. While the application of putty to opened seams and other areas may improve the cabinet's appearance, the color, texture, and sheen of the putty may be inconsistent with those of the paint and may be apparent to the eye. Neither Cubitac nor any of its dealers can be held responsible for this inconsistency in color, texture, and sheen caused by the putty. Cubitac's Satin Finish enables the surface materials on the doors and sides to become significantly more resistant to scratches, mars, chips, cracks, peeling and yellowing than most paints available today are able to provide. These characteristics are brought to the buyer's attention because the product sampling available to the buyer may not provide the buyer with an adequate idea of how an installed kitchen cabinet or bathroom vanity will appear. It is the responsibility of the buyer to decide whether or not the natural characteristics of painted wood products will be satisfactory.

Neither Cubitac nor any of Cubitac Corp. dealers may be held responsible for customer dissatisfaction, at any level, resulting from the characteristics mentioned above.

### GUARANTEE

No guarantees are given by other than those extended by Cubitac Cabinetry the Manufacturer. Cubitac Cabinetry shall not be liable for any loss, damage or personal injury incurred in the transportation, handling and/or fixing of the products by the customer or any third party.

#### *Treat your Cabinets with Care:*

- Use a soft cotton cloth.
- Do not use abrasive materials (including paper towels).
- Only use soap and warm water.
- Do not spray directly onto the cabinets.
- Do not use any chemicals. (Note, when using a spray for other items placed near your cabinetry, be careful not to over-spray on your cabinets)
- Wipe spills promptly and do not leave wet items against the wood.
- Clean glass doors with a glass cleaner. (Be careful not to over-spray on the wood)
- You can repair small nicks and scratches with our touch up kits. (Available for a fee)
- Waxing and polishing is not recommended as this can create a film or wax build up on your cabinets.
- You can dust your cabinets with a lightly damp cloth. (Follow the grain of the wood wiping across can cause scratches) An additional fee is required to purchase a Touch Up Kit.

### STAINING

All our products can be subject to staining. Cubitac Cabinetry is under no circumstances liable for staining or any other damage of the cabinets after installation caused by cleaning products and other chemicals. It is the client's responsibility to ensure the products are suitable for its intended use.

You agree to indemnify us against any loss, damage, or liability, suffered by us at any time and arising out of: any act, neglect, or default of yours in connection with this agreement or your use of the service your breach of this agreement your failure to comply with any law a contractual claim arising from your use of the service and purchase of a product

### ACCESS

Unreasonable access must be declared by the client upon quotation. If the site is found to be unreasonable for access of products, Cubitac Cabinetry is not liable for any cost incurred to ensure the products are delivered safely on-site.

### WHAT IS THE CUBITAC WARRANTY?

Cubitac hereby warrants to the original purchaser, for residential applications only, that all cabinets and accessories manufactured and sold by Cubitac are free from defects in material and workmanship for a period of five years from the date of purchase.

This warranty is applicable only to products used in residential applications within the United States and Canada and is not transferable to subsequent owners. This warranty is effective on Cubitac products manufactured on or after January 1, 2016. In keeping with our policy of continued product improvement. Cubitac reserves the right to change product specifications without notice. If the warranted product has been discontinued, Cubitac's normal operating procedures and policies apply to the administration of these warranties.

Cubitac Cabinetry Corp. is pleased to provide the following limited warranty on all cabinets imported to and assembled and sold in the United States and Canada by Cubitac Cabinetry. This limited warranty is subject to all limitations, exclusions, disclaimers, and procedures set forth herein. Cubitac Cabinetry warrants to the original purchasing consumer that all cabinets purchased from Cubitac will be free from all unnatural defects in material and workmanship in accordance with Cubitac's quality standards under normal residential use for 5 years from the date of the original purchase or if the original purchasing consumer owns the home in which such cabinets are installed, whichever is less. This warranty is nontransferable to subsequent owners of the home.

### WHAT DOES THE WARRANTY COVER?

Cubitac's obligation under the warranty shall be limited to the repair or replacement of any part that proves defective as determined by Cubitac review. These warranties do not cover the cost of installation, removal, subsequent damage, or transportation, regardless of who performs the work.

Cubitac, at its option, may elect to repair or replace any Cubitac product covered by this warranty. Some replacement parts are subject to styling, wood species, and color available at the time the claim is submitted. These warranties are the exclusive warranties of Cubitac and are in lieu of all other warranties, expressed or implied, including the implied warranties of merchantability and fitness for a particular purpose.

### CLAIMS

To submit a claim covered under this warranty, the original proof of purchase and full payment or copies thereof must be provided. Please email all documents to [customerservice@cubitac.com](mailto:customerservice@cubitac.com).

Please do not send back any items to Cubitac prior to receiving proper authorization from customer service. Cubitac takes no responsibility on any items sent back to Cubitac without proper return authorization.

### WHAT IS NOT COVERED BY THE WARRANTY?

This warranty shall become void if Cubitac products are misused, abused, mishandled, improperly stored, changed, modified, or subjected to applicable to cabinetry ordered and purchased unassembled. Cubitac uses real wood products. Naturally occurring variations are inherent in real wood products and are not perceived as defects. These variations include, but are not limited to the following characteristics:

#### *Wood products:*

- Cabinet finishes tend to lighten or darken even yellow over time due to exposure to sunlight, household cleaners, smoke, and other environmental conditions. These are naturally occurring characteristics in wood products and are considered acceptable within our product standards and commercial tolerance.
- Variations also occur in Cubitac Hand-Wiped Glazes and Character Finish Packages. These variations in finishes gives each piece a unique, authentic, and handcrafted look, and are not considered defects in workmanship or material.
- Painted face frames and other painted Cubitac product may show visible cracking around joint areas. These variations are considered natural characteristics of the material in relation to their environment and are not covered under these warranties.
- Cubitac goes to great measures to design our White Cabinetry lines of products to be as free from imperfection as possible. As such, the buyer should be aware that joints in the face frames and in certain accessories, by nature of the products, may be predisposed to opening painted finishes than in standard finishes. and are not considered defects in workmanship or material.
- Warpage on doors is usually the result of the environment surrounding the installation site and cannot be considered a production defect.
- Knots in wood are part of the natural grain formation and cannot be considered a defect.

### LIMITATIONS

This warranty shall become void if the cabinets, cabinetwork, drawer slides or hinges are modified from its original form, improperly installed, or damaged prior to or during the installation, or used in any way other than for residential purposes. This warranty covers only parts and materials of the cabinets as supplied by Cubitac. This warranty does not cover any products used or installed in connection with cabinets, such as gas or electric appliances, countertops, or plumbing fixtures. This warranty does not apply to products installed in locations that do not maintain year-round environmental controls. This warranty shall not apply to damages caused by transportation, storage, dirt, chemicals, exposure to moisture, humidity, or excessive heat or cold, nor does it cover defects arising from normal wear and tear, misuse, neglect, accidents, alterations, improper use, or failure to maintain properly, house settling. No installer, retailer, distributor, agent, or employee of Cubitac Cabinetry Corp. has the authority to alter the obligations or limitations in this warranty.

### WARRANTY PERFORMANCE

If a defect does occur within the terms and conditions of this warranty such defective part will be repaired or replaced by Cubitac at its sole discretion. Cubitac will not provide or pay for the cost of removal of defective product, transportation of defective, repaired or replaced product or installation of repaired or replaced product. Cubitac will not be responsible for any shipping damages to the defective, replaced or repaired product. If the defective item has been discontinued or is not available at the time, Cubitac reserves the right to replace the item with the most similar item available in Cubitac's inventory at that time. Cubitac cannot guarantee that the finish of any replacement will exactly match the finish and appearance of the defective item due to the natural aging process of the wood and finishes of the cabinets. Cubitac requires that the customer submit a clear photo, or that a company representative view the item being claimed before honoring this warranty.

This warranty does not cover indirect, special, incidental, or consequential damages, loss of use, or labor expenses in uninstalling or installing any material or parts, whether arising out of breach of warranty, breach of contract, negligence, tort, or any other legal theory, even if Cubitac has been advised of the possibility thereof. Cubitac disclaims responsibility for damages in excess of your purchase price. Specifically, Cubitac Cabinetry does not, under any circumstances, warrant that the products are fit for the customers intended purpose. It is the customers' sole responsibility to satisfy yourself that the goods are sufficient and of the description, quality and suitability of the customers choosing for the application the customer has for the goods.



Repair or replacement is subject to the current product offerings of styles and construction of Cubitac Cabinetry Corp. at that time. If a warranty claim is filed after a product becomes unavailable, Cubitac Cabinetry Corp. will replace that part with a part of the same or similar style based on availability. No dealer, agent, contractor, or installer has any right to change or extend the above warranty. These warranty statements only, are the expressed warrants extended by Cubitac Cabinetry Corp. In lieu of any other warranties, this warranty shall constitute the entire liability of Cubitac Cabinetry Corp. All styles, finishes, hardware, and specifications are also subject to change without prior notice. Cubitac Cabinetry Corp. is not responsible for any typographical errors in any of its literature or Web site.

**TO THE MAXIMUM EXTENT PERMITTED BY APPLICABLE LAW:**

This warranty gives you specific legal rights, and you may also have other rights which vary from state to state. This limited warranty is transferable from the reseller purchasing Cubitac products to the reseller's consumer. No other transfers of this limited warranty are permitted. For new construction, proof of home purchase and date of purchase are required.

This warranty excludes all industrial, commercial and business usage, whose purchasers are hereby extended a five-year limited warranty from the date of purchase, with all other terms of this warranty applying except the duration of the warranty. Some provinces and some states do not allow the exclusion or limitation of incidental or consequential damages, so the above limitation or exclusion may not apply to you.

**OWNERSHIP**

The products invoiced from Cubitac Cabinetry to the customer remain the property of Cubitac Cabinetry until payment in full has been received. Cubitac Cabinetry reserves the right to retrieve their products or goods of equal value from the customer if there is default in payment. The customer holds full liability for any products with attached money owing. The customer will maintain products in the condition as received. The payment claim is made under the Building and Construction Industry Security of Payment Act 1999.

**YOUR ACCOUNT AND PERSONAL INFORMATION**

When you visit our website, you accept responsibility for any action done by any person in your name or under your account or password. You should take all necessary steps to ensure that the password is kept confidential and secure and should inform us immediately if you have any reason to believe that your password has become known to anyone else, or if the password is being, or is likely to be, used in an unauthorized manner.

You agree that you have provided accurate, up to date, and complete information about yourself. We are not responsible for any error made because of such information being inaccurate.

You agree to notify us of any changes in your information immediately it occurs. If you do not do so, we may terminate your account.

For the purposes of the Privacy Act 1988 as amended you consent to the processing of your personal data (in manual, electronic or any other form) relevant to this agreement, by us and/or any agent or third party nominated by us. Processing includes but is not limited to obtaining, recording, using and holding data and includes the transfer of data to any country in any part of the World.

**COMMUNICATION**

When you visit our website or send any requirements to us by email, you are communicating with us electronically. You agree that all our electronic communications satisfy any legal requirement that such communications be in writing.



**CONTACT INFO**

Date \_\_\_\_ / \_\_\_\_ / \_\_\_\_      Ordered By \_\_\_\_\_  
 Account # \_\_\_\_\_      PO # \_\_\_\_\_  
 Company Name \_\_\_\_\_  
 Billing Address \_\_\_\_\_      Suite # \_\_\_\_\_  
 City \_\_\_\_\_      State \_\_\_\_\_      ZIP \_\_\_\_\_  
 Phone \_\_\_\_\_      Fax \_\_\_\_\_  
 Email \_\_\_\_\_

**If shipping address is different than billing address, please provide shipping information below. Additional charges may apply.**

Shipping Address \_\_\_\_\_      Suite # \_\_\_\_\_  
 City \_\_\_\_\_      State \_\_\_\_\_      ZIP \_\_\_\_\_  
 Contact Person \_\_\_\_\_      Phone \_\_\_\_\_

**IMPERIAL**  
SERIES
**MADISON**

- Latte
- Dusk
- Midnight

**BERGEN**

- Latte
- Shale

**SOFIA**

- Pewter
- Caramel
- Sable

**BELMONT**

- Café Glaze

	QTY	PRODUCT SKU	HINGE (L/R)	FINISH (L/R)	PRICE
1					
2					
3					
4					
5					
6					
7					
8					
9					
10					
11					
12					
13					
14					
15					
16					
17					

	QTY	PRODUCT SKU	HINGE (L/R)	FINISH (L/R)	PRICE
18					
19					
20					
21					
22					
23					
24					
25					
26					
27					
28					
29					
30					
31					
32					
33					
34					

 Pickup  Delivery

 Assembled  Unassembled

Total List \$ \_\_\_\_\_  
 \_\_\_\_\_ % \_\_\_\_\_

**TOTAL**

**Please note: we don't reserve stock until order is approved. To help avoid unnecessary delays, please thoroughly inspect all cabinetry before installation.**

**CONTACT INFO**

Date \_\_\_\_ / \_\_\_\_ / \_\_\_\_      Ordered By \_\_\_\_\_

Account # \_\_\_\_\_ PO # \_\_\_\_\_

Company Name \_\_\_\_\_

Billing Address \_\_\_\_\_ Suite # \_\_\_\_\_

City \_\_\_\_\_ State \_\_\_\_\_ ZIP \_\_\_\_\_

Phone \_\_\_\_\_ Fax \_\_\_\_\_

Email \_\_\_\_\_

**If shipping address is different than billing address, please provide shipping information below. Additional charges may apply.**

Shipping Address \_\_\_\_\_ Suite # \_\_\_\_\_

City \_\_\_\_\_ State \_\_\_\_\_ ZIP \_\_\_\_\_

Contact Person \_\_\_\_\_ Phone \_\_\_\_\_



**DOVER**

- Latte
- Café
- Shale

**MILAN**

- Latte
- Shale

**NEWPORT**

- Latte
- Café

	QTY	PRODUCT SKU	HINGE (L/R)	FINISH (L/R)	PRICE
1					
2					
3					
4					
5					
6					
7					
8					
9					
10					
11					
12					
13					
14					
15					
16					
17					

	QTY	PRODUCT SKU	HINGE (L/R)	FINISH (L/R)	PRICE
18					
19					
20					
21					
22					
23					
24					
25					
26					
27					
28					
29					
30					
31					
32					
33					
34					

Pickup  Delivery       Assembled  Unassembled

Total List \$ \_\_\_\_\_  
 \_\_\_\_\_ % \_\_\_\_\_

**TOTAL**

**Please note: we don't reserve stock until order is approved. To help avoid unnecessary delays, please thoroughly inspect all cabinetry before installation.**

**CONTACT INFO**

Date \_\_\_\_ / \_\_\_\_ / \_\_\_\_      Ordered By \_\_\_\_\_  
 Account # \_\_\_\_\_      PO # \_\_\_\_\_  
 Company Name \_\_\_\_\_  
 Billing Address \_\_\_\_\_      Suite # \_\_\_\_\_  
 City \_\_\_\_\_      State \_\_\_\_\_      ZIP \_\_\_\_\_  
 Phone \_\_\_\_\_      Fax \_\_\_\_\_  
 Email \_\_\_\_\_

**If shipping address is different than billing address, please provide shipping information below. Additional charges may apply.**

Shipping Address \_\_\_\_\_      Suite # \_\_\_\_\_  
 City \_\_\_\_\_      State \_\_\_\_\_      ZIP \_\_\_\_\_  
 Contact Person \_\_\_\_\_      Phone \_\_\_\_\_

**BASIC**  
SERIES
**RIDGEFIELD**

- Latte  
 Pastel

**OXFORD**

- Latte  
 Pastel

	QTY	PRODUCT SKU	HINGE (L/R)	FINISH (L/R)	PRICE
1					
2					
3					
4					
5					
6					
7					
8					
9					
10					
11					
12					
13					
14					
15					
16					
17					

	QTY	PRODUCT SKU	HINGE (L/R)	FINISH (L/R)	PRICE
18					
19					
20					
21					
22					
23					
24					
25					
26					
27					
28					
29					
30					
31					
32					
33					
34					

 Pickup  Delivery

 Assembled  Unassembled

Total List \$ \_\_\_\_\_  
 \_\_\_\_\_ % \_\_\_\_\_

**TOTAL**

**Please note: we don't reserve stock until order is approved. To help avoid unnecessary delays, please thoroughly inspect all cabinetry before installation.**

# WALL OVEN CUTOUT FORM

PO# \_\_\_\_\_

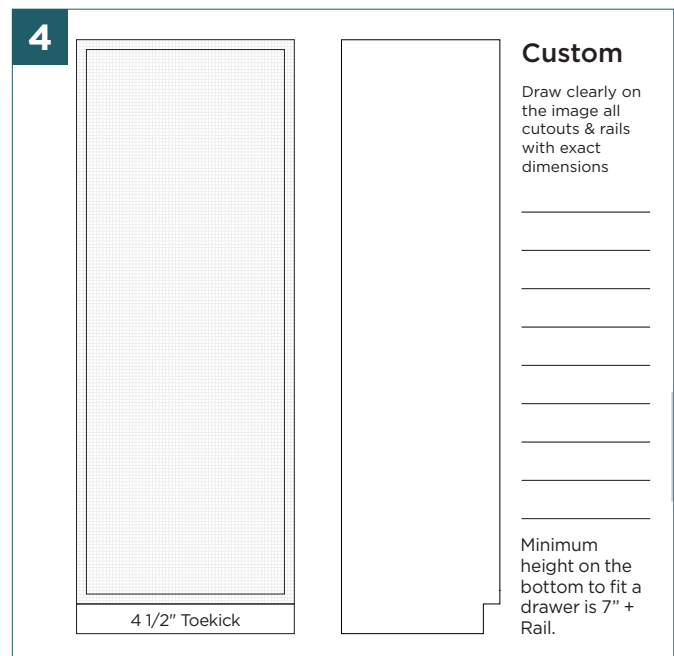
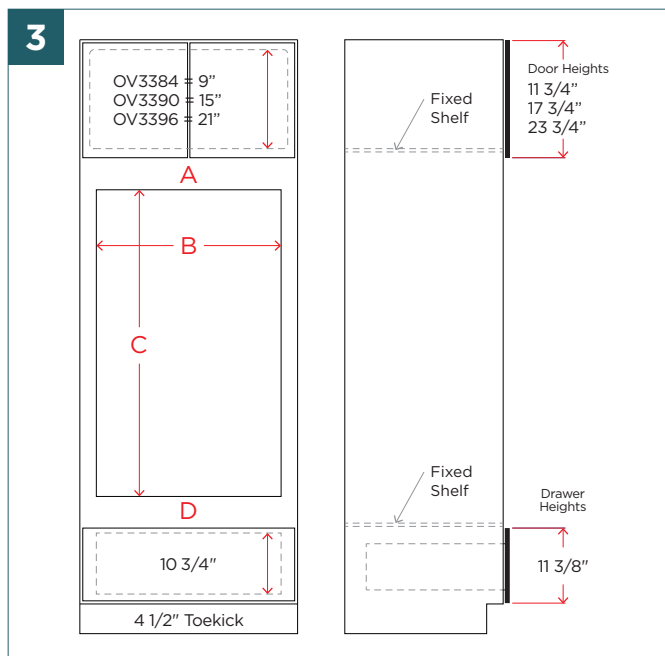
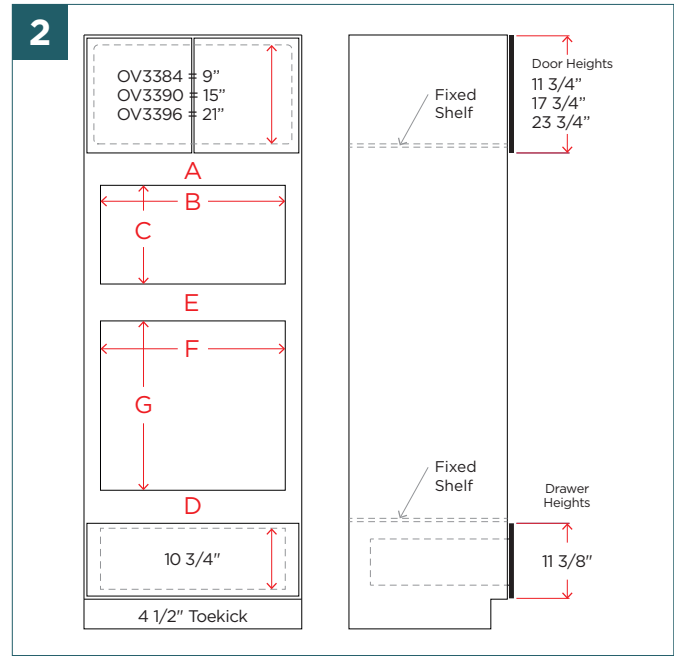
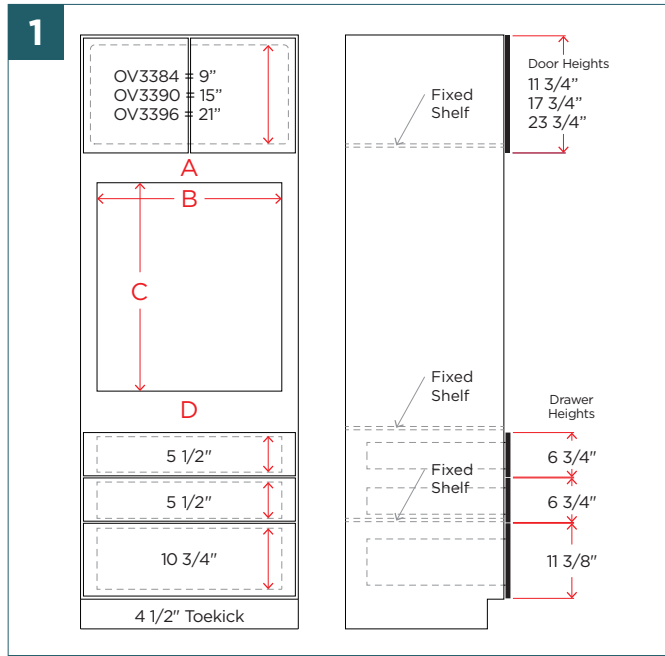
ORDER# \_\_\_\_\_

Select oven cutout below and write in the measurements for cutouts (B, C, F, G) and rails (A, E, D).

1. SINGLE OVEN   
  2. SINGLE OVEN & MICROWAVE   
  3. DOUBLE OVEN   
  4. CUSTOM OVEN CUTOUT

A	B	C	D	E	F	G
---	---	---	---	---	---	---

(A) Minimum height is 3"



- Standard Stiles on the OV are 2 1/4"
- Standard Rails on the OV are 1 1/2"
- Max cutout width (B) is 30" (standard oven cutout size is 28 1/2")

**!** Please note! For a double oven add additional support to the fixed shelf otherwise it might crack the frame.



4 Bell Drive  
 Ridgefield NJ 07657  
 P 201.464.2000  
 F 201.464.2200  
 E orders@@cubitac.com

# RMA FORM

**PO#**

**ORDER#**

Include the original sales order number

<b>COMPANY NAME</b>	<b>PICK-UP ADDRESS</b>	<b>DATE</b>
<b>CONTACT PERSON</b>	<b>PHONE</b>	<b>FAX</b>
<b>EMAIL</b>	<b>DOOR STYLE</b>	<b>COLOR</b>

RMA Request <input type="checkbox"/> <b>REPLACEMENT</b> <input type="checkbox"/> <b>REFUND</b>	Order Type <input type="checkbox"/> <b>KD</b> <input type="checkbox"/> <b>ASSEMBLED</b>	Delivery Type <input type="checkbox"/> <b>DELIVERED</b> <input type="checkbox"/> <b>PICKED UP</b>
---	--	--

QTY	ITEM	REASON FOR RETURN	Approval Code <small>(office use only)</small>

For office use only

PICKUP FEE	ROUTE	RESTOCKING FEE
\$		\$

**Please sign and return to the form to: Fax: 201-464-2200 Email: orders@cubitac.com**

- Please note: All damaged claims must be reported within 48 hours of delivery.
- All merchandise must be in its original packaging and wrapped up.
- All merchandise must be returned to be eligible for a refund.
- Attach form and any available photos of damaged item with the return.
- No merchandise will be accepted without a filled out and approved RMA form

**PLEASE SIGN**



**CUBITAC**<sup>®</sup>  
CABINETS

4 Bell Drive, Ridgefield, NJ 07657  
**P:** 201-464-2000 | **F:** 201-464-2200  
orders@cubitac.com  
[www.cubitac.com](http://www.cubitac.com)